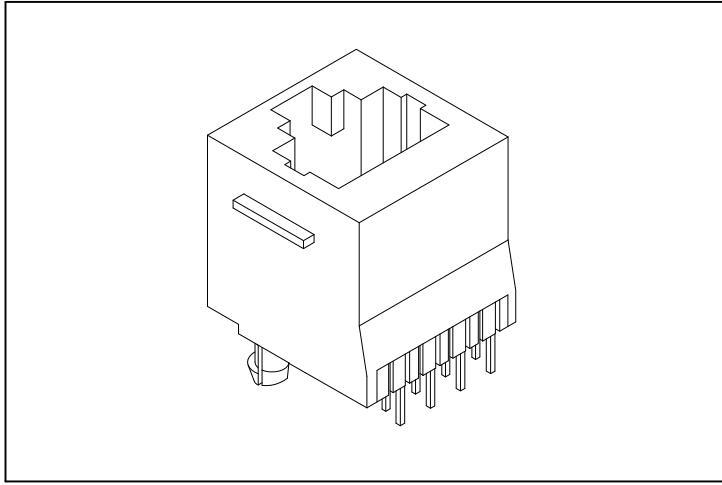


# 8949-H Series

## Modular Jack Top Entry Dip Type



### Material:

Housing: Thermoplastic Polyester Glass Filled UL94V-0.

Contacts: Copper Alloy.

Plating: Selective Gold plated on contact area over Nickel.

### Electrical Characteristics:

Current Rating: 1.5 A.

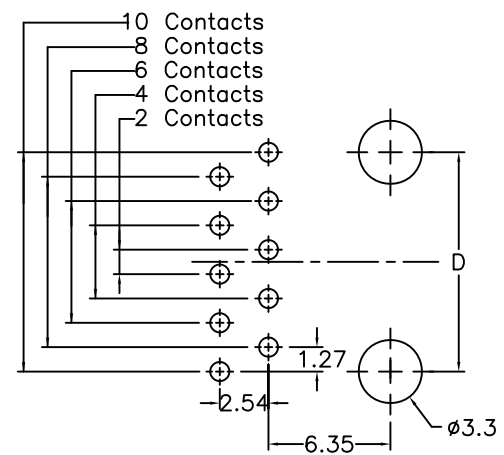
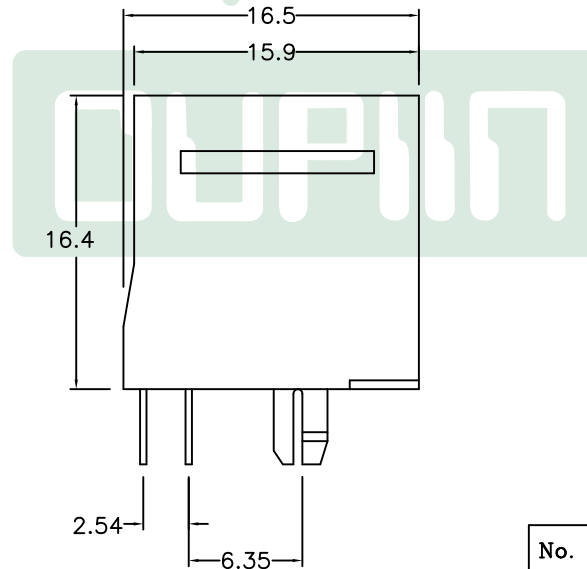
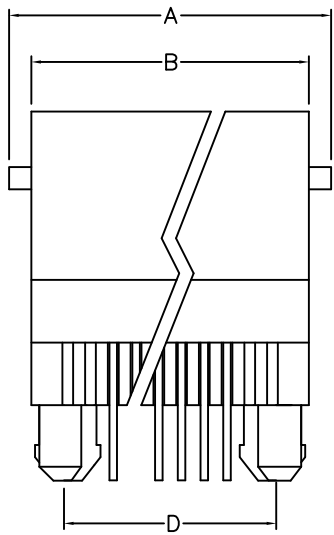
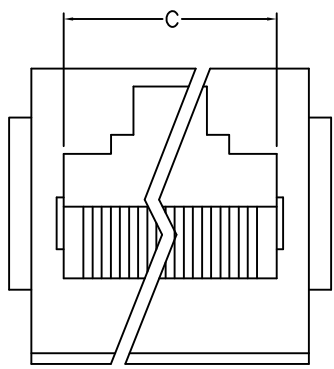
Insulator Resistance: 1000MΩ min.

Contact Resistance: 30mΩ max.

Operating Temperature: -40°C~+85°C.

### Features:

- \* 50μ"gold meets FCC 68 requirements.
- \* Available in 4, 6, 8, 10 position housing.
- \* Industry compatible profiles and foot prints.
- \* Available in selective loading.
- \* Contact pre-loaded and self aligned.



P.C. Board Layout

No. of Position	No. of Contacts	Dimensions			
		A	B	C	D
4	4	13.80	11.40	7.90	7.62
6	2	15.80	13.45	10.00	10.16
6	4	15.80	13.45	10.00	10.16
6	6	15.80	13.45	10.00	10.16
8	8	18.00	15.50	11.90	11.43
10	10	18.00	15.50	11.90	11.43

## Ordering information

8949-H	10	10	-06	B	F	A
Series	10: 10 Position 8: 8 Position 6: 6 Position 4: 4 Position	10: 10 Contacts 8: 8 Contacts 6: 6 Contacts 4: 4 Contacts 2: 2 Contacts	06: 06μ" Gold Plated 15: 15μ" Gold Plated 30: 30μ" Gold Plated 50: 50μ" Gold Plated	B: Black	F: With Flange N: W/O Flange	A: Tray Package