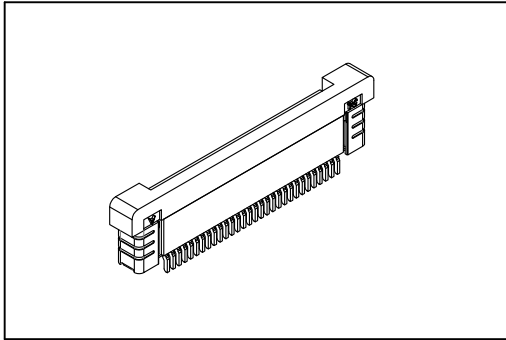


# 2345-C Series

## FFC/FPC Connector 0.5mm(0.02") ZIF Type



### Material:

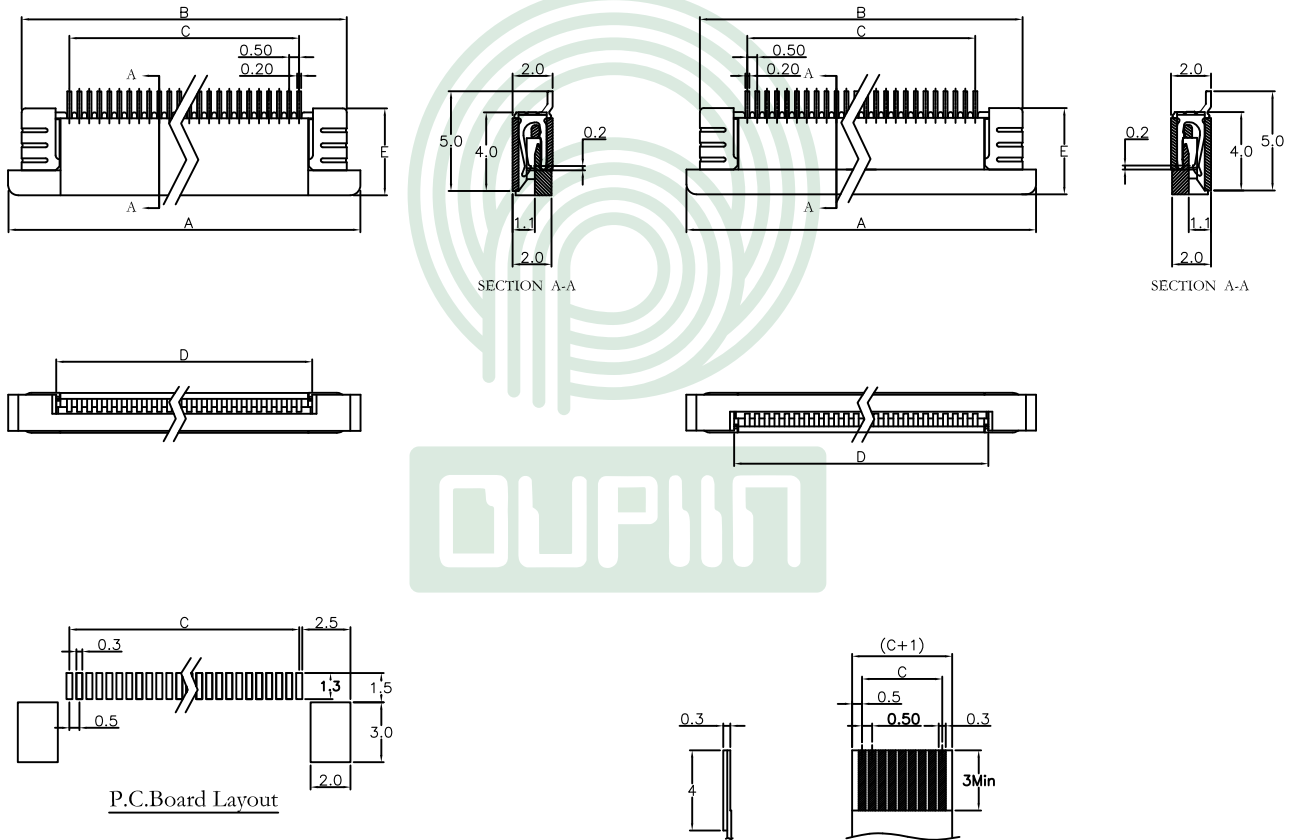
Housing: High Temperature Plastic UL94V-0.  
 Contacts: Copper Alloy.  
 Solder : Copper Alloy.

### Electrical Characteristics:

Current Rating: 0.4 A.  
 Dielectric Withstanding Voltage: AC 200V.  
 Insulator Resistance: 500MΩ min.  
 Contact Resistance: 20mΩ max.  
 Operating Temperature: -25°C~+85°C.

### Features:

- \* ZIF, Surface Mount. Vertical.
- \* Size 4 through 60 available.
- \* For 0.30mm(0.0118 ") thick FFC/FPC.



FFC/FPC Dimension

Position Dimension	4 Thru 60
A	(No. of PositionsX0.5)+5.6
B	(No. of PositionsX0.5)+4.5
C	(No. of PositionsX0.5)-0.5
D	(No. of PositionsX0.5)+0.6

## Ordering information

2345-C  
Series

60  
No. of Pin Count

T  
T: Tin Plated

D  
D: SMD Type

1  
1: Top Contact  
2: Bottom Contact

T  
T: Tape & Reel Package  
U: Tube Package