

REV.	SPECIFICATION	ECN NO.	APPD.
R1		ECN250229	

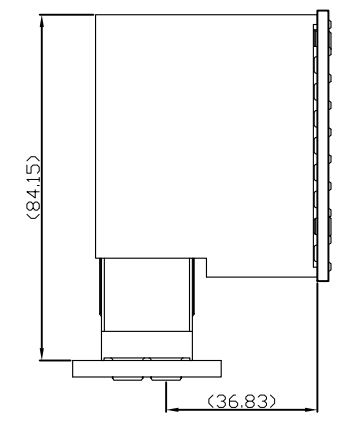
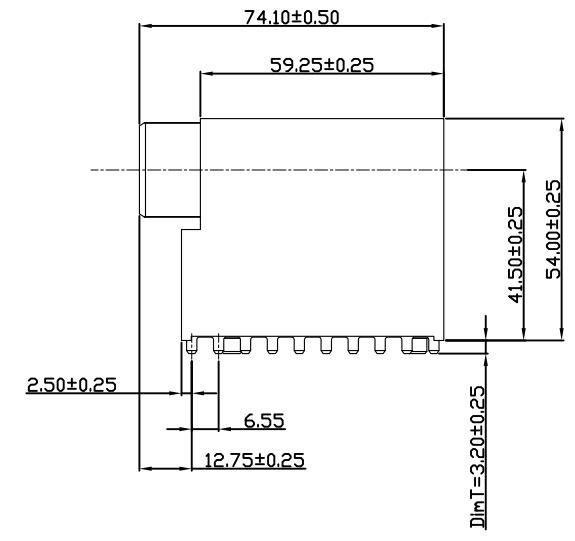
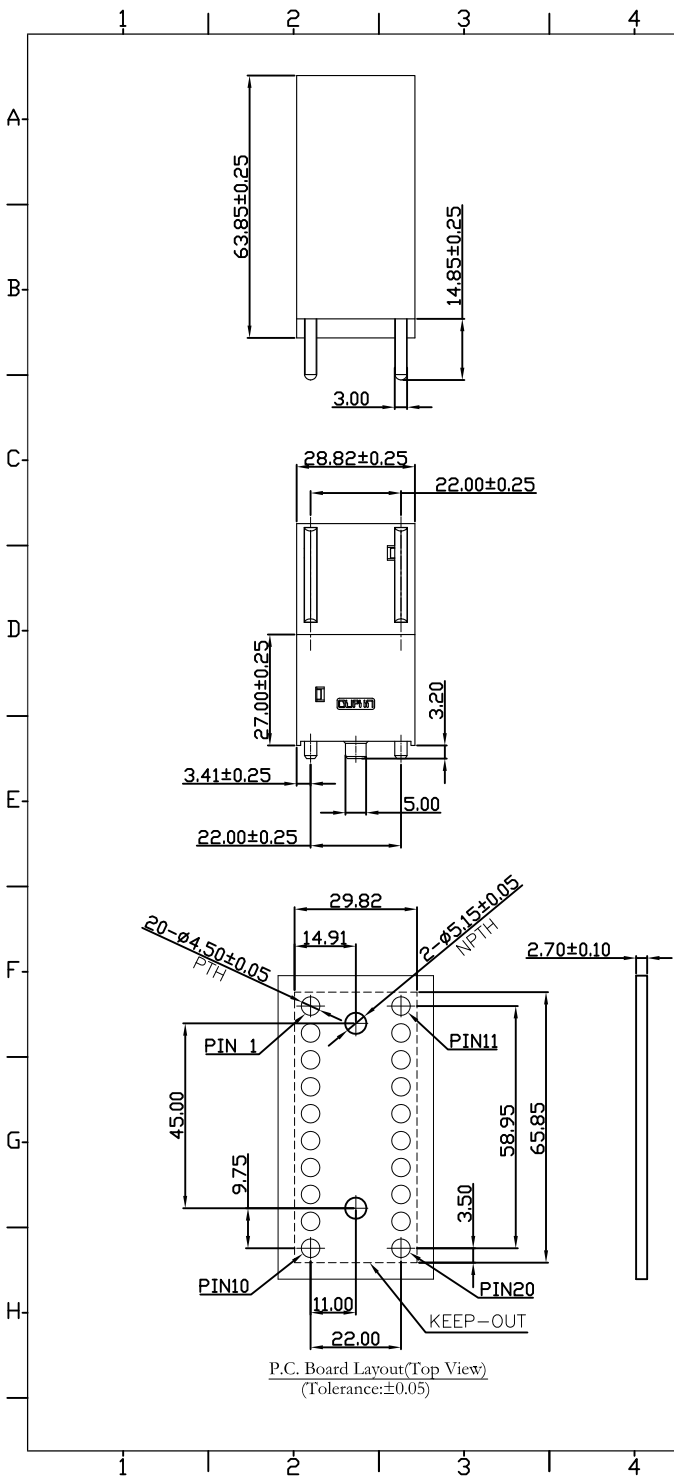
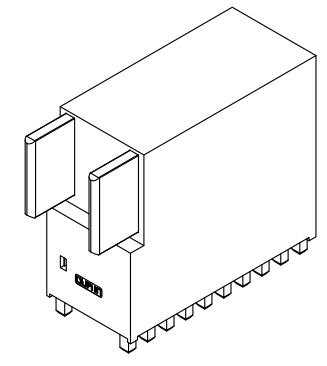
Material and Plating:

Housing: LCP UL94V-0 , Black
 Contacts: Copper.
 80u" Min Tin Plated over nickel 50u" Min.

Electrical Characteristics:

Current Rating: 300A
 Dielectric Withstanding Voltage:
 DC 1500V For 1 minute.
 Insulator Resistance:
 1500MΩ min. at DC 500V.
 Contact Resistance: 0.7mΩ Max
 Operating Temperature: -40°C~+105°C

***RoHS Compliant**



9192-B 1 P02 T S A A01
 Series | 1: Male Right-angle | P02: P02 | T: Tin Plated | S: Dip Type | A: Tray Package | A01: With Post, Dim T=3.20mm

P.C. Board Layout (Top View)
 (Tolerance: ±0.05)

Tolerances	Dwg No.	9192-DP02-062	Title:	9192-B Series Male Power 300A Connector				
x = ±0.5	Projection			 OUPIIN ELECTRONIC(KUNSHAN) CO., LTD. P/N: 9192-B1P02SAA01				
.x = ±0.25	Unit	mm	Scale					1:1
.xx = ±0.15	Drawn By	WP 02/18'25						
				SHEET	1/1	Ver.No.	R1	