

REV.	SPECIFICATION	ECN NO.	APPD.

Material:

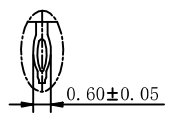
Housing: LCP,UL94V-0,Black.
 Contacts: Phosphor Bronze, Gold Plated on Contact Area and 100u" Tin Plated on Solder Tail over Nickel 50u".

Cage: Copper Alloy.
 Light Pipes: Polycarbonate,UL94V-0,Clear.
 Light Pipe Housing: PBT,UL94V-0,Black.

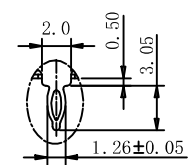
Electrical Characteristics:

Voltage Rating: 30 V AC/DC Max.
 Current Rating: 0.5 A Max.
 Dielectric Withstanding Voltage: 300 V AC Max.
 Operating Temperature: -40°C~+85°C.

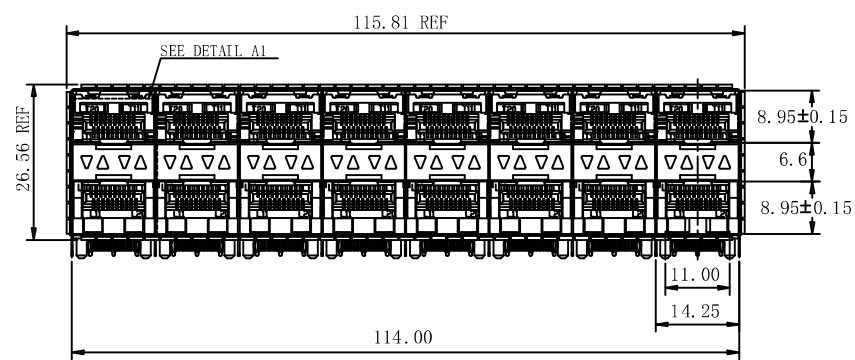
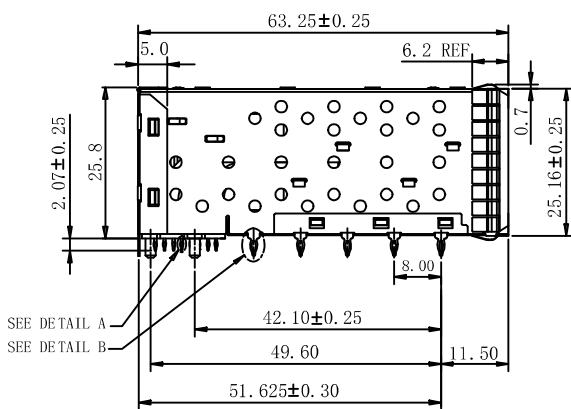
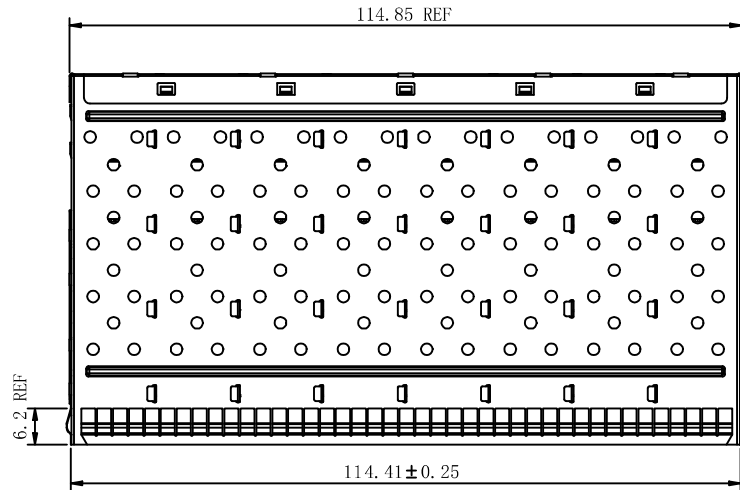
***RoHS Compliant**



DETAIL A
SCALE 10:1



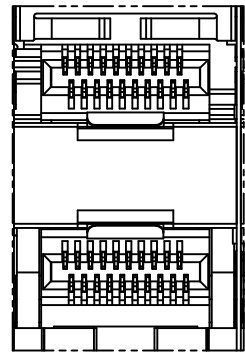
DETAIL B
SCALE 5:1



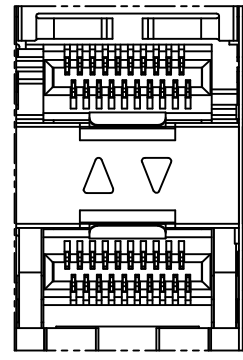
8952-E 2X8 C 30 P P x A
 Series 2X8 Port C: Selective Gold Plated 15:15u" 30:30u" P: Press Fit P: Spring Plus 0: Without Light Pipes A: Tray Package
 1: With Inner Light Pipes
 2: With Outer Light Pipes
 3: With Inner/Outer Light Pipes

Tolerances .x = ±0.25 .xx = ±0.13 .xxx = ±0.10	Dwg. No.	S1020190613-02		Title: 8952-E Series SFP+ 2X8 Cage, R/A,Metal Shield Press Fit Type With Connector	 OUPIN ELECTRONIC(KUNSHAN) CO., LTD. P/N: 8952-E2X8C30PPxA
	Date	20190613			
	Unit	mm	Scale		
	Drawn By	Sherry		SHEET	1/4 Ver.No. X1

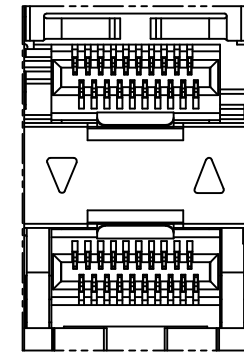
REV.	SPECIFICATION	ECN NO.	APPD.



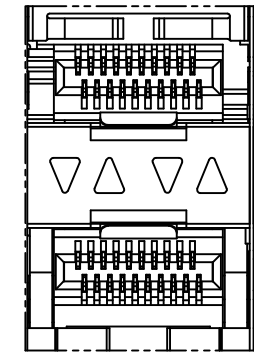
Without Light Pipes



With Inner Light Pipes

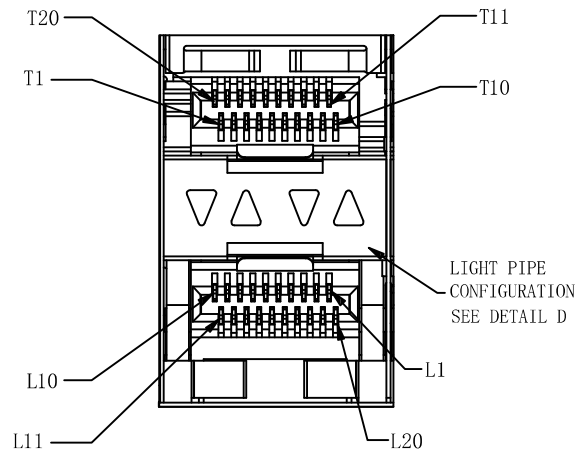


With Outer Light Pipes



With Inner/Outer Light Pipes

LIGHT PIPE CONFIGURATION
DETAIL D SCALE 2:1



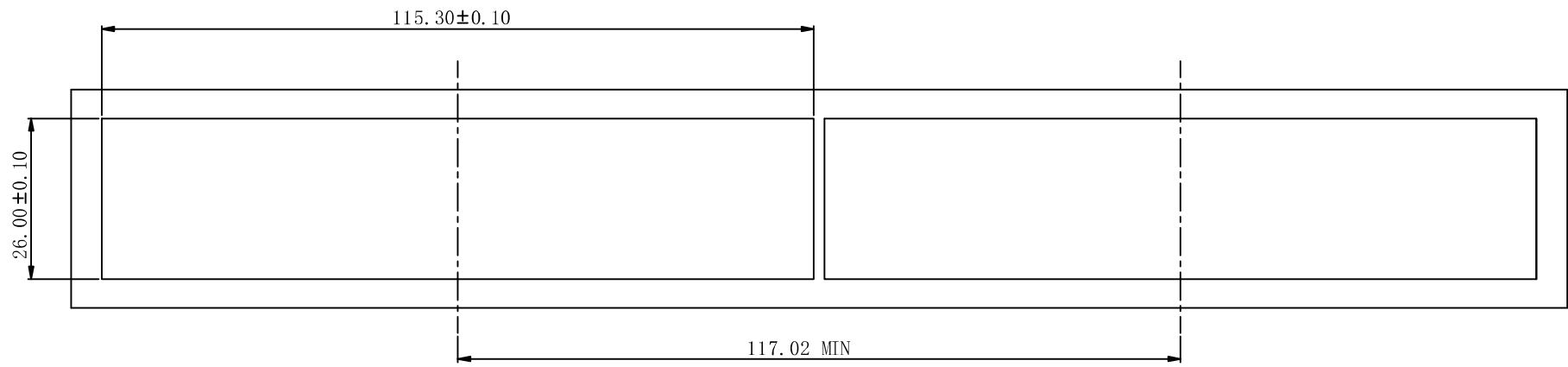
DETAIL A1
SCALE 4:1

Tolerances .x = ±0.25 .xx = ±0.13 .xxx = ±0.10	Dwg. No.	S1020190613-02		
	Date	20190613		
	Unit	<i>mm</i>	Scale	1:N
	Drawn By	Sherry		

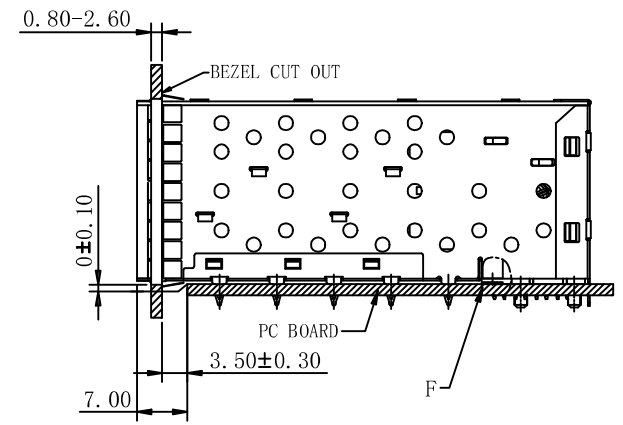
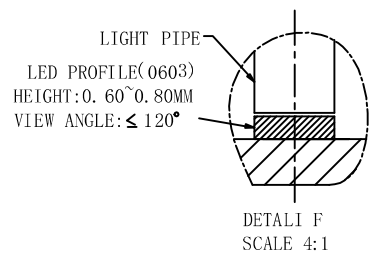
Title:
 8952-E Series
 SFP+ 2X8 Cage, R/A, Metal Shield
 Press Fit Type With Connector

OUPIIN			
OUPIIN ELECTRONIC(KUNSHAN) CO., LTD.			
P/N: 8952-E2X8C30PPxA			
SHEET	2/4	Ver.No.	X1

REV.	SPECIFICATION	ECN NO.	APPD.

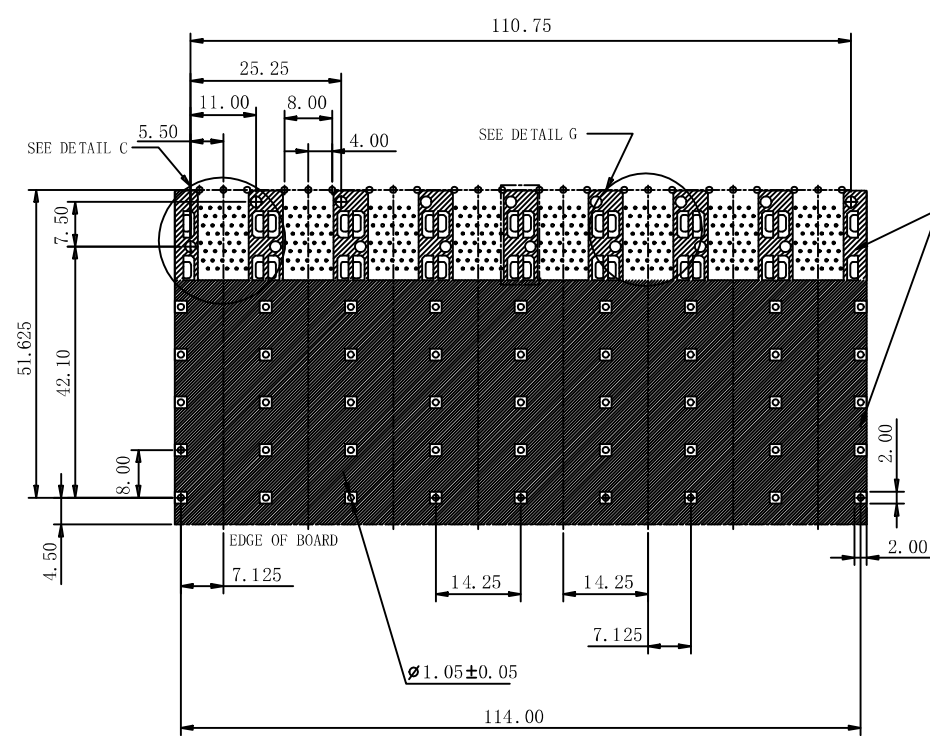


BEZEL CUT-OUT CENTER SPACING DETAIL
BEZEL THICK NESS:0.8-2.6

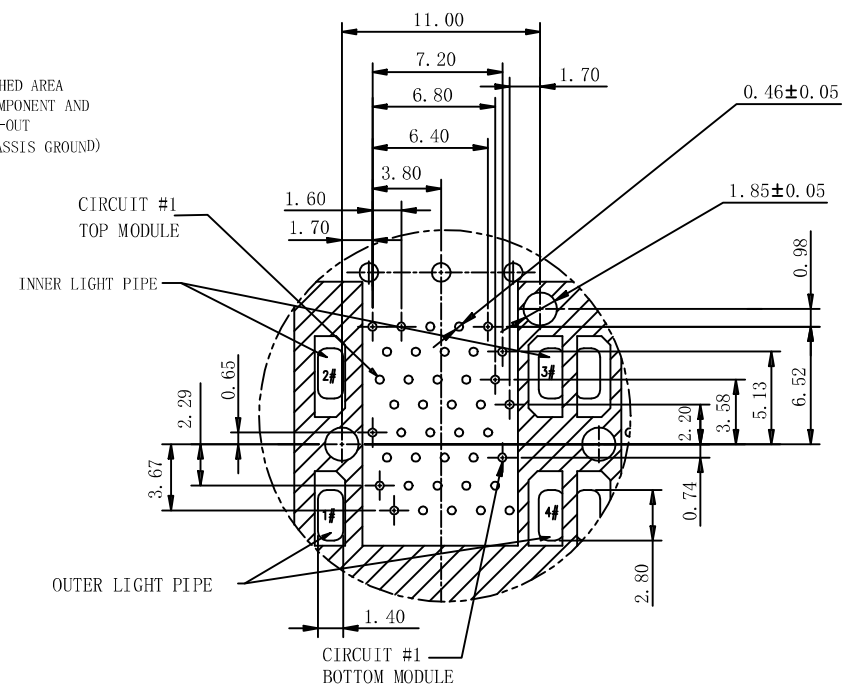


Tolerances .x = ±0.25 .xx = ±0.13 .xxx = ±0.10	Dwg. No.	S1020190613-02		Title: 8952-E Series SFP+ 2X8 Cage, R/A,Metal Shield Press Fit Type With Connector	 OUPIIN ELECTRONIC(KUNSHAN) CO., LTD. P/N: 8952-E2X8C30PPxA				
	Date	20190613							
	Unit	mm	Scale		1:N	SHEET	3/4	Ver.No.	X1
	Drawn By	Sherry							

REV.	SPECIFICATION	ECN NO.	APPD.

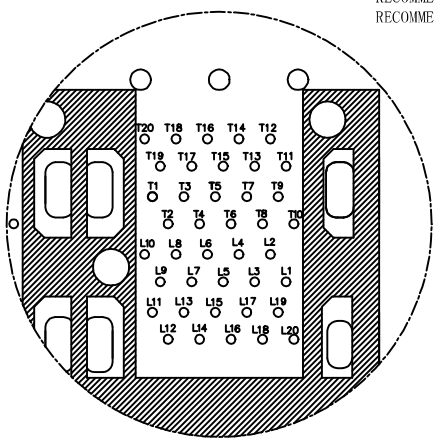


CROSS-HATCHED AREA
DENOTES COMPONENT AND
TRACE KEEP-OUT
(EXCEPT CHASSIS GROUND)



DETAIL C
SCALE 5:1

RECOMMENDED PCB LAYOUT—COMPONENT SIDE
RECOMMENDED PCB THICKNESS—2.63 MM



DETAIL G
SCALE 5:1

Tolerances .x = ±0.25 .xx = ±0.13 .xxx = ±0.10	Dwg. No.	S1020190613-02		Title: 8952-E Series SFP+ 2X8 Cage, R/A, Metal Shield Press Fit Type With Connector	 OUPIIN ELECTRONIC(KUNSHAN) CO., LTD. P/N: 8952-E2X8C30PPxA				
	Date	20190613							
	Unit	mm	Scale			1:N			
	Drawn By	Sherry							
					<table border="1"> <tr> <td>SHEET</td> <td>4/4</td> <td>Ver.No.</td> <td>X1</td> </tr> </table>	SHEET	4/4	Ver.No.	X1
SHEET	4/4	Ver.No.	X1						