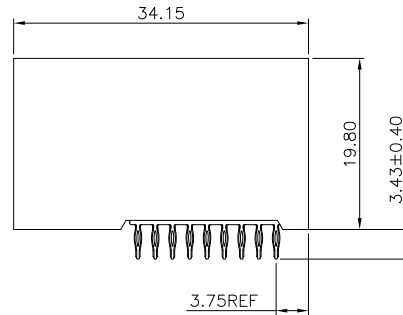
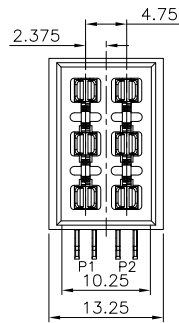
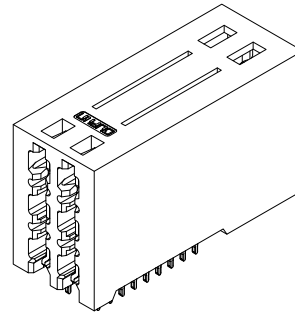
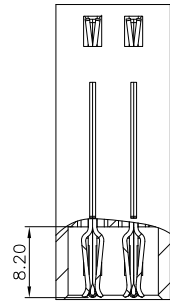


REV.	SPECIFICATION	ECN NO.	APPD.
R1		ECN250225	



Material and Plating:

Housing: LCP, UL94V-0 , BLACK.

Power Contacts: High Conductivity Copper, 30u"Au+Pd/Ni on Contact Area and 80u" Min Tin Plated on Press Fit over Nickel 50u" Min .

Electrical Characteristics:

Current Rating: Power Pin:100 A(2 Adjacent Contacts).

Dielectric Withstanding Voltage:

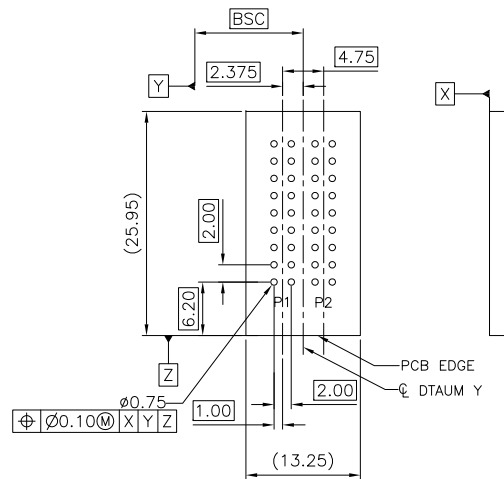
Power Pin DC 2500V For 1 minute.

Insulator Resistance: Power Pin 1000MΩ min.

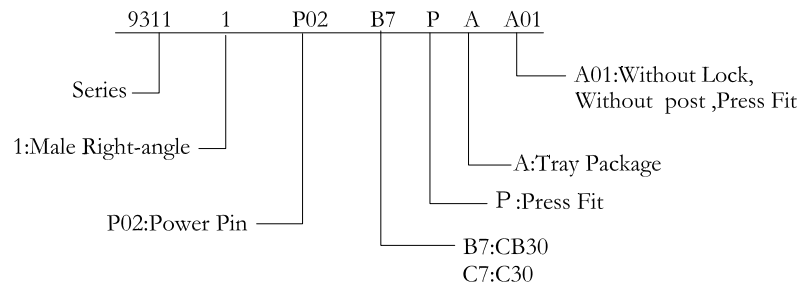
Contact Resistance: Power Pin 0.3mΩ max.

Operating Temperature: -55°C ~+125°C .

***RoHS Compliant**



P.C.Board Layout
(Tolerance:±0.05)



Tolerances	Dwg. No.	9311-DP02-001		Title:
x = ±1	Projection	⊕ ⊖		9311 Series
.x = ±0.5	Unit	mm	Scale	
.xx = ±0.25	Drawn By	XS 02/14'25		Male Right-angle Press Fit Type
.xxx = ±0.10				

OUPIN			
OUPIN ELECTRONIC(KUNSHAN) CO., LTD.			
P/N: 9311-1P02B7PAA01			
SHEET	1/1	Ver. No.	R1