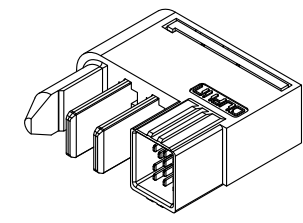
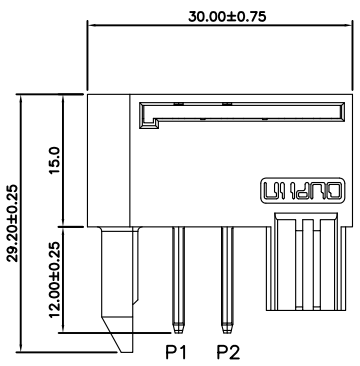


REV.	SPECIFICATION	ECN NO.	APPD.
X2			



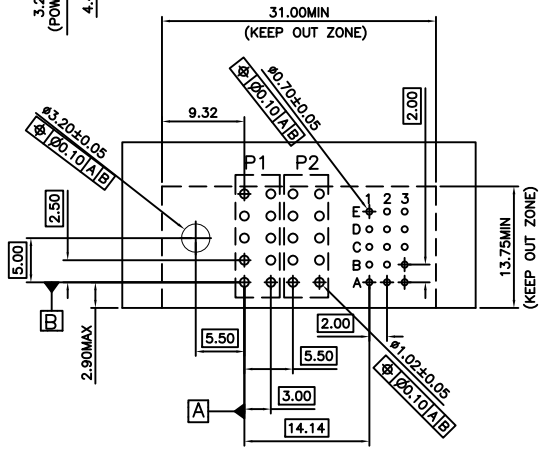
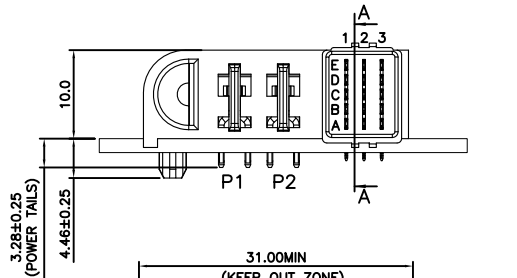
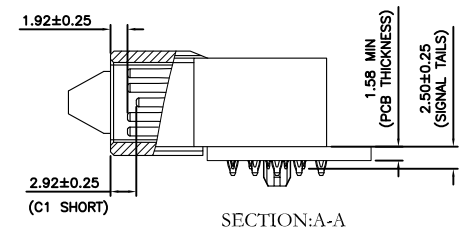
**Material and Plating:**  
Housing: LCP, UL94V-0 , Black.  
Molding: LCP, UL94V-0 , Beige and Black.  
Stopper: LCP, UL94V-0 , Black.  
Power Contacts: High Conductivity Copper .  
Au+Pd/Ni or Gold Plated on Contact Area and 80u"  
Tin Plated on Press Fit over Nickel 50u".  
Signal Contacts : Brass .  
Au+Pd/Ni or Gold Plated on Contact Area and 80u"  
Tin Plated on Press Fit over Nickel 50u".

**Electrical Characteristics:**  
Current Rating: Signal Pin 2.5 AMP.  
Power Pin 60 AMP.  
Dielectric Withstanding Voltage: Power Pin :DC 1500V For 1 minute.  
Signal Pin :DC 500V For 1 minute.  
Insulator Resistance: 5000MΩ min.  
Contact Resistance: Signal Pin 30mΩ max.  
Power Pin 0.3mΩ max.

**\*RoHS Compliant**

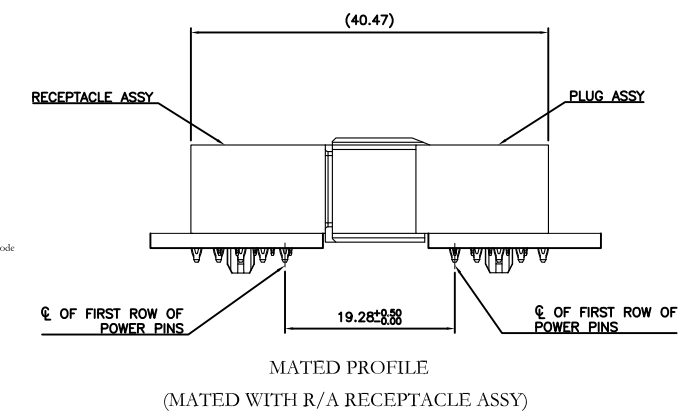
**Notes 1:**  
L: Low Power---PCB Mount 3.0mm Pitch  
D: DC Power---PCB Mount 5.5mm Pitch  
A: AC Power---PCB Mount 7.5mm Pitch

**Notes 2:**  
C1: Signal Pin to The Top Distance is 2.92mm.  
Other Signal: Signal Pin to The Top Distance is 1.92mm.  
All Power Contact Length is 12.0mm.  
Right Side without guide and post.  
Total Length is 30.0mm.



P.C.Board Layout  
(Tolerance:±0.05)

9395- 1 D02 S15 B 7 1 P P G2 A -A021  
Series  
I: Male Right Angle  
Blank/Without Contact  
Power Contact: Axx, Dxx, Lxx  
No. of position  
Blank/Without Contact  
Signal Contact: Sxx  
No. of position  
C: Selective Gold Plated  
B: Dip Tin Plated  
Contact :Au+Pd/Ni Plated  
Internal Code  
A: Tray Package  
G2: Guides Side  
P: With Post  
P: Press Fit Type  
I: With Rib  
7: 30u"



PROPOSAL ONLY

Tolerances	Dwg. No.	9395-D0000-113	Title:		9395 Series Max P60 10mm Low Profile, 60Amp Plug, Right Angle,FMLB		 <b>OUPIN ELECTRONIC(KUNSHAN) CO., LTD.</b> P/N: 9395-1D02S15B71PPG2A-A021	
x = ±0.5	Projection		Unit	mm	Scale	1:1		
.x = ±0.25	Drawn By	WP 01/15'25	SHEET	1/1	Ver. No.	X2		
.xx = ±0.15								