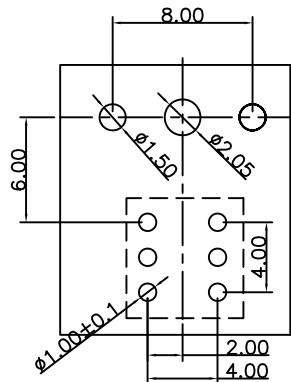
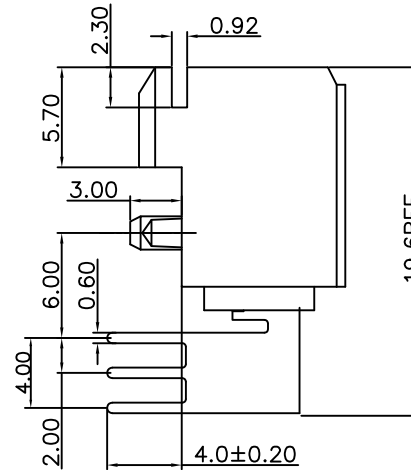
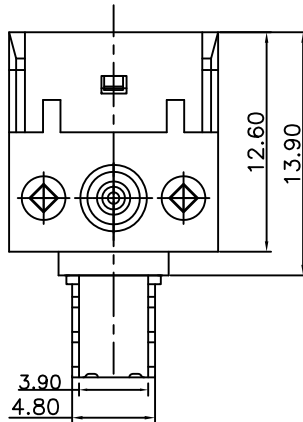
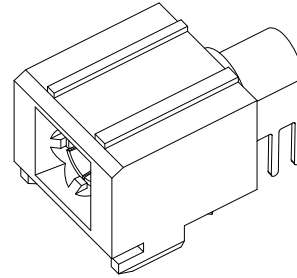
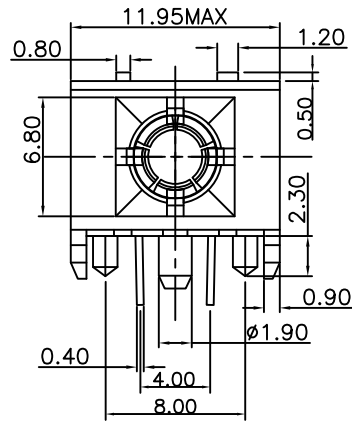


REV.	SPECIFICATION	ECN NO.	APPD.
R3		ECN250317	



P.C. Board Layout
Tolerance ±0.05

Material and planting:

Housing: LCP, UL94V-0, Beige.

Contacts: Phosphor Bronze.

Gold Plated on Contact Area and 80u" Min Tin Plated on Solder Tail over nickel 50u" Min.

Electrical Characteristics:

Current Rating: 30 AMP.

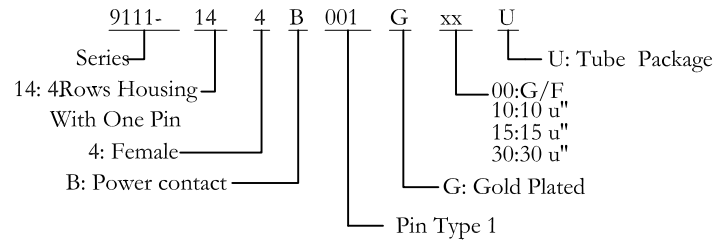
Dielectric Withstanding Voltage: AC 1000V For 1 minute.

Insulator Resistance: 5000MΩ min. at DC 500V.

Contact Resistance: 10mΩ max. at DC 100mA.

Operating Temperature: -65°C~+125°C.

RoHS Compliant.



Tolerances	Dwg No.	9111D14401
x = ±0.5	Projection	
.x = ±0.25	Unit	mm
.xx = ±0.15	Scale	1:1
	Drawn By	XM 03/12'25

Title:
9111 Series
H.D.2.0mm Female
Power Connector



OUPIIN ELECTRONIC(KUNSHAN) CO., LTD.

P/N: 9111-144B001GxxU

SHEET	1/1	Ver.No.	R3
--------------	-----	----------------	----