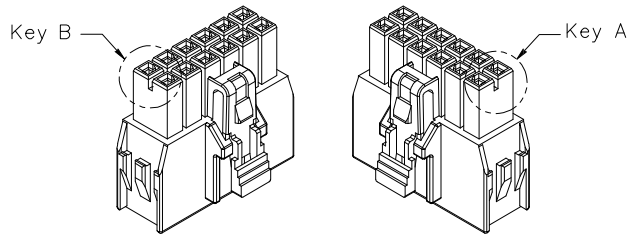
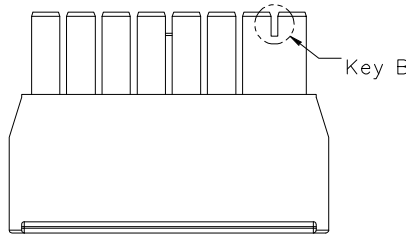
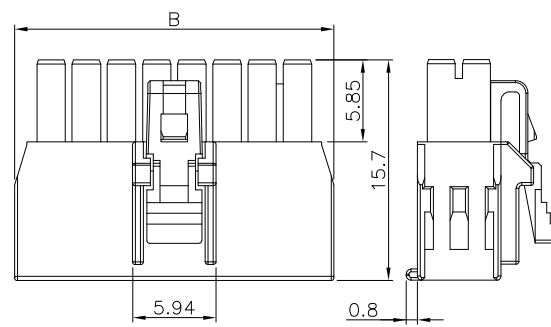
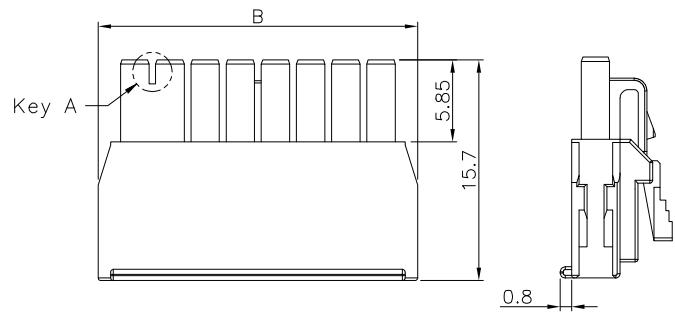
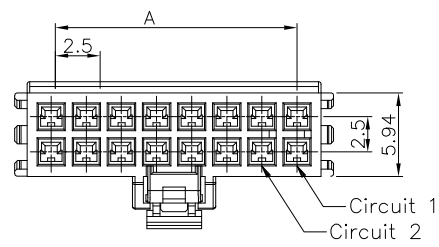
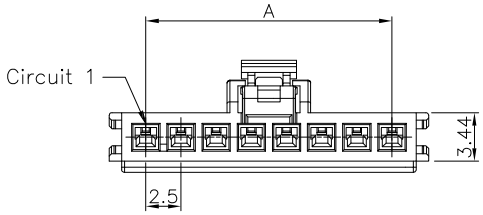


REV.	SPECIFICATION	ECN NO.	APPD.

Single Row

Double Row



**Material:**  
**Housing:** PA9T, UL94V-0.  
**Contacts:** Brass, Tin Plated over Nickel 30u".  
**Electrical Characteristics:**  
**Current Rating:** 4.5 AMP.  
**Dielectric Withstanding Voltage:** AC 1500V.  
**Insulation Resistance:** 1000MΩ min.  
**Contact Resistance:** 10mΩ max.  
**Operating Temperature:** -40°C~+105°C.  
**\*RoHS Compliant**

Series: 4671- x X xx M H x x B  
 1:Single Row  
 2:Double Row  
 Positions: M:Male  
 Housing: B:Bulk Package  
 0:W/O Retainer  
 1:With Retainer  
 A:Key A Black Color  
 B:Key B Natural Color

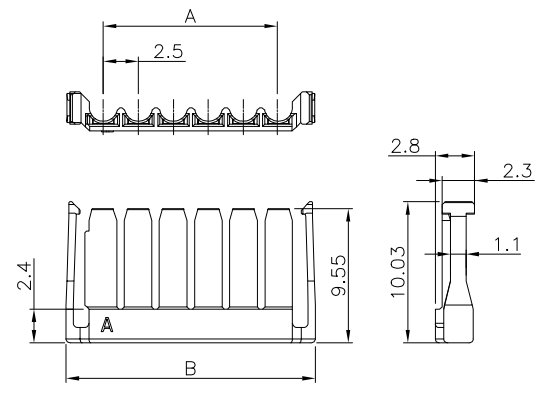
4671- Pin -F -10k -Tx  
 Series Female 10k Pin per row T1:20-22AWG  
 T2:24-26AWG

No. of Contacts per Row	Dimensions	
	A	B
02	2.50	7.70
03	5.00	10.20
04	7.50	12.70
05	10.00	15.20
06	12.50	17.70
07	15.00	20.20
08	17.50	22.70

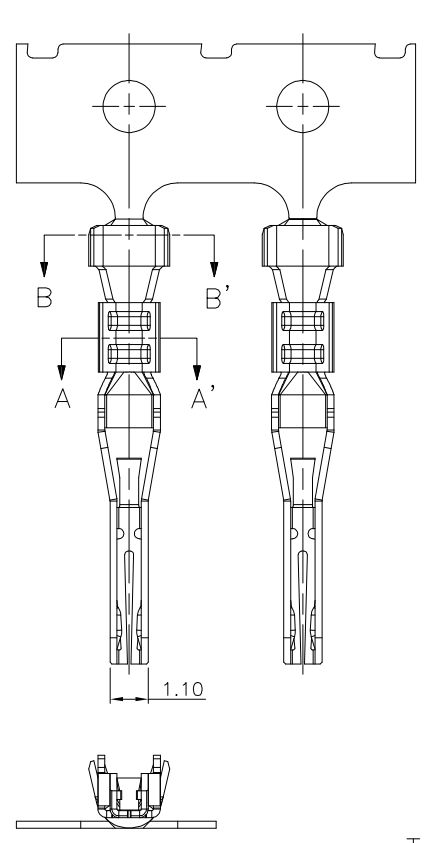
Tolerances	Dwg. No.	S2320220519-01	Title:	4671 Series
.x = ±0.4	Projection		2.5mm Housing & Terminal	
.xx = ±0.25	Unit	mm	Scale	1:N
.xxx = ±0.08	Drawn By	Martin 10/27'22	① 667	

<b>OUPIIN</b>			
OUPIIN ELECTRONIC(KUNSHAN) CO., LTD.			
P/N:4671-xXxxMHxxB&4671-PIN-F-10K-Tx			
SHEET	1/2	Ver.No.	X2

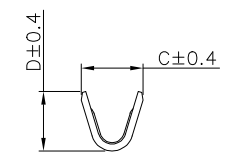
REV.	SPECIFICATION	ECN NO.	APPD.



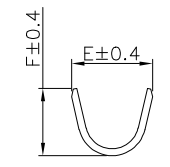
Retainer



Terminal



SECTION A-A'



SECTION B-B'

Terminal	Dimensions			
	C	D	E	F
4671-PIN-F-10K-T1	1.78	1.71	2.33	1.94
4671-PIN-F-10K-T2	1.39	1.45	2.12	2.00

Tolerances	Dwg. No.	S2320220519-01		Title:	4671 Series			
.x = ±0.4	Projection			2.5mm Housing & Terminal				
.xx = ±0.25	Unit	mm	Scale	1:N	① 667			
.xxx = ±0.08	Drawn By	Martin 10/27'22						

<b>OUPIIN</b> OUPIIN ELECTRONIC(KUNSHAN) CO., LTD. P/N:4671-xHxxMHxxB&4671-PIN-F-10K-Tx			
SHEET	2/2	Ver.No.	X2