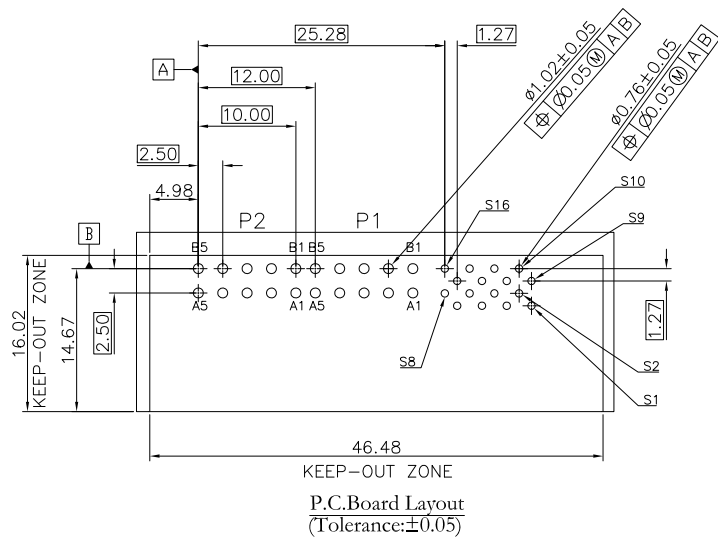
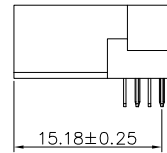
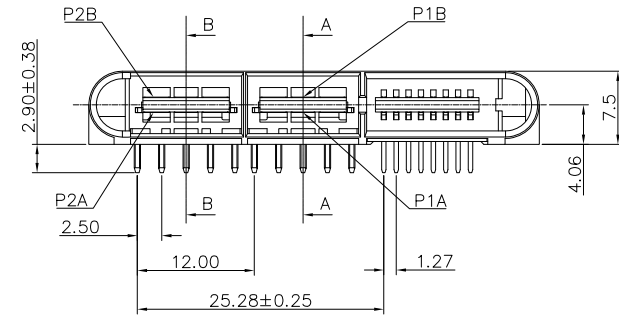
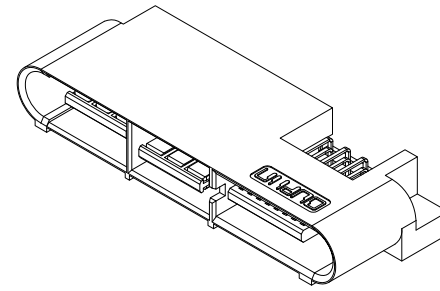
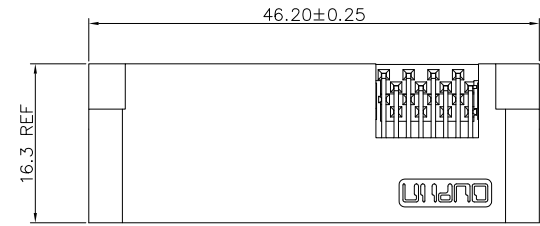


REV.	SPECIFICATION	ECN NO.	APPD.
X3			



Material and Plating:

Housing: LCP, UL94V-0 , BLACK.

Power Contacts: High Conductivity Copper.

30u" Au+Pd/Ni on Contact Area and 80u" Min Tin Plated on Solder Tail over nickel 50u" Min .

Signal Contacts : Brass.

30u" Au+Pd/Ni on Contact Area and 80u" Min Tin Plated on Solder Tail over nickel 50u" Min .

Electrical Characteristics:

Current Rating: Signal Pin 1.0 AMP.

Power Pin 30 AMP.

Insulator Resistance: Signal:1000MΩ min. at DC 500V.

Power:5000MΩ min. at DC 500V.

Dielectric Withstanding Voltage:

Signal Pin DC 500V For 1 minute.

Power Pin DC 1000V For 1 minute.

Contact Resistance: Signal Pin 45mΩ max. at DC 20mA.

Power Pin 5.0mΩ max. at DC 20mA.

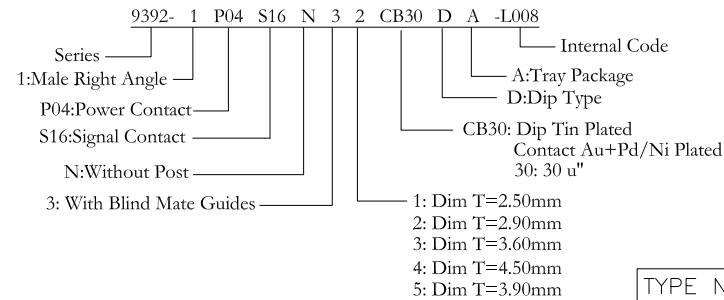
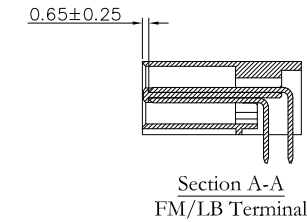
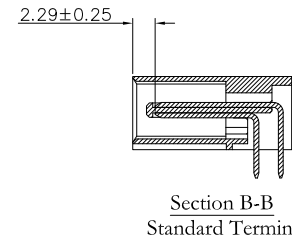
Operating Temperature: -40°C ~+105°C .

***RoHS Compliant**

Notes:

P1A,P1B Power Pin to The Top Distance is 0.65mm.

P2A,P2B Power Pin to The Top Distance is 2.92mm.



TYPE NO.	1	2	3	4	5
DIM T	2.50	2.90	3.60	4.50	3.90

Tolerances	Dwg. No.	9392-D0000-014	
x = ±0.5	Projection		
.x = ±0.25	Unit	mm	Scale
.xx = ±0.15	Scale	1:1	
	Drawn By	WP 07/11'23	

Title:

9392 Series
Low Profile Hybrid
Power Plug

OUPIN			
OUPIN ELECTRONIC(KUNSHAN) CO., LTD.			
P/N:9392-1P04S16N32CB30DA-L008			
SHEET	1/1	Ver. No.	X3

PROPOSAL ONLY