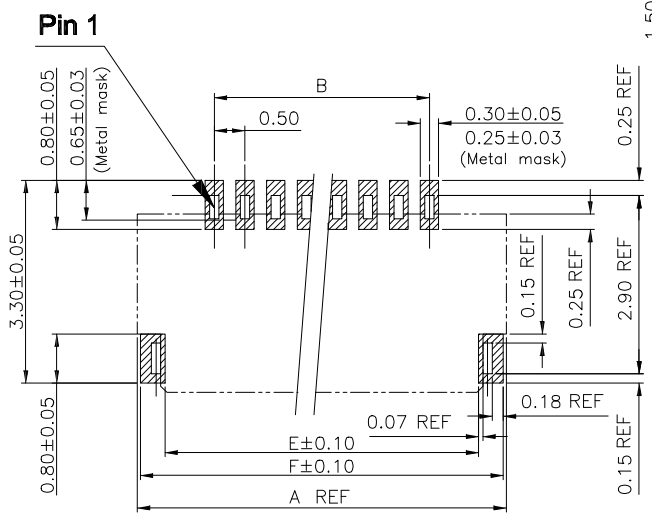
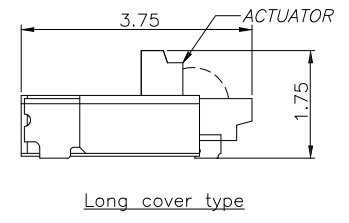
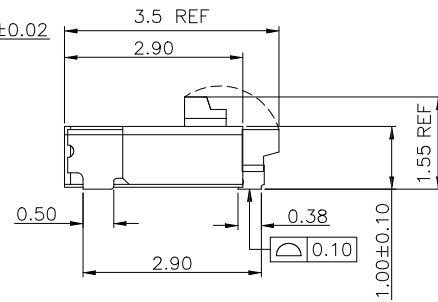
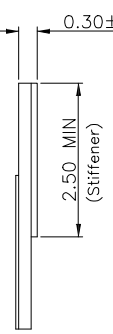
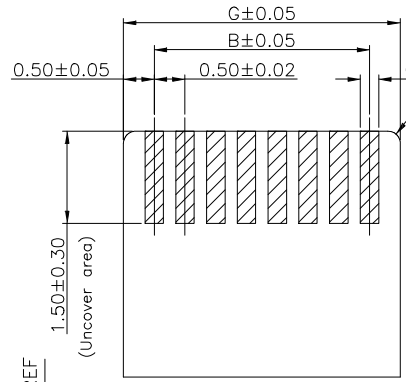
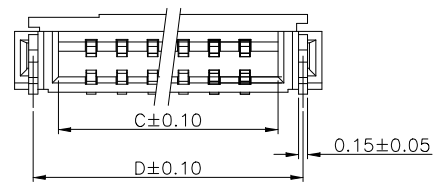
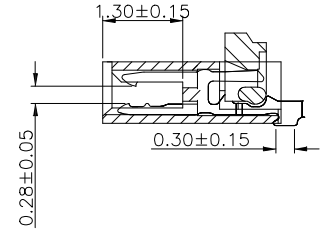
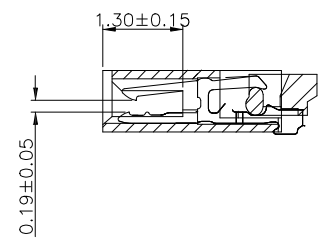
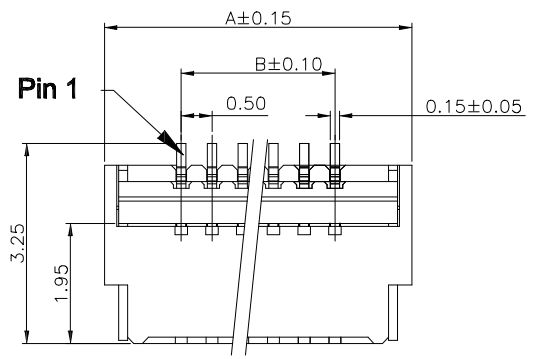


REV.	SPECIFICATION	ECN NO.	APPD.

Material:
Housing: LCP, UL94V-0, Natural.
Actuator: LCP, UL94V-0, Black.
Contacts: Phosphor Bronze, Gold Plated on Contact Area and Gold Flash on Solder Tail over Nickel 50u".
Soder tab: Brass, Tin Plated over Nickel 50u".
Electrical Characteristics:
Current Rating: 0.5A.
Dielectric Withstanding Voltage: AC 250V.
Insulation Resistance: 500MΩ min.
Contact Resistance: 100mΩ max.
Operating Temperature: -55°C~+105°C.
***RoHS Compliant**



Recommended PCB Layout

Series 2538-J xx G 00 D B T
Positions
G:Gold Plated
00:Gold Flash
T:Tape & Reel Package
B:0.3mm Thickness FFC/FPC
D:SMD Type

Number of Contacts	A	B	C	D	E	F	G
40(long cover type)	22.00	19.50	20.57	21.39	21.10	21.90	20.50
34(long cover type)	19.00	16.50	17.57	18.39	18.10	18.90	17.50
32(long cover type)	18.00	15.50	16.57	17.39	17.10	17.90	16.50
30(long cover type)	17.00	14.50	15.57	16.39	16.10	16.90	15.50
28(long cover type)	16.00	13.50	14.57	15.39	15.10	15.90	14.50
26(long cover type)	15.00	12.50	13.57	14.39	14.10	14.90	13.50
24	14.00	11.50	12.57	13.39	13.10	13.90	12.50
22	13.00	10.50	11.57	12.39	12.10	12.90	11.50
20	12.00	9.50	10.57	11.39	11.10	11.90	10.50
18	11.00	8.50	9.57	10.39	10.10	10.90	9.50
16	10.00	7.50	8.57	9.39	9.10	9.90	8.50
14	9.00	6.50	7.57	8.39	8.10	8.90	7.50
12	8.00	5.50	6.57	7.39	7.10	7.90	6.50
10	7.00	4.50	5.57	6.39	6.10	6.90	5.50
8	6.00	3.50	4.57	5.39	5.10	5.90	4.50
6	5.00	2.50	3.57	4.39	4.10	4.90	3.50
5	4.5	2.00	3.07	3.89	3.60	4.50	3.00
4	4.00	1.50	2.57	3.39	3.10	3.90	2.50

Tolerances	Dwg. No.	2538D02006		Title:	2538-J Series	
.x = ±0.30	Projection	⊕ ⊖		0.5mm FFC/FPC Connector		
.xx = ±0.20	Unit	mm	Scale	Back Filp Type		
.xxx = ±0.10	Drawn By	Martin 02/26'25		SHEET 1/1 Ver.No. A1		

525A

OUPIIN
OUPIIN ELECTRONIC(KUNSHAN) CO., LTD.
P/N: 2538-JxxGOODBT