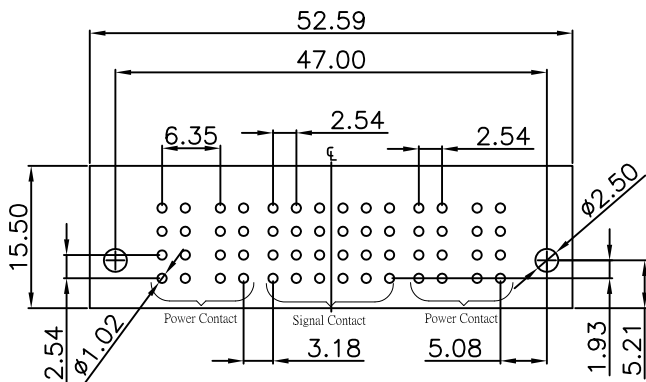


Section: A-A
Scale: 1:1



P.C.Board Layout
(Tolerance:±0.05)

- 9303- 2 P02 S24 P02 Cxx P L A
- Series 1: Male Right-angle
- Blank: Without Contact
- Power Contact: Hxx, Pxx, Axx
- No. of position
- Blank: Without Contact
- Signal Contact: S xx
- No. of position
- A: Tray Package
- L: With Lock
- P: Press Fit Type
- CB30: Contact Au+Pd/Ni, Dip Tin 30: 30 u"
- Cxx: Selective Gold Plated 10: 10 u" 30: 30 u"
- Blank: Without Contact
- Power Contact: Hxx, Pxx, Axx
- No. of position

REV.	SPECIFICATION	ECN NO.	APPD.
R5		240708	

Material and Plating:

Housing: LCP,UL94V-0, BLACK.
Power Contacts: High Conductivity Copper .
 Au+Pd/Ni or Gold Plated on Contact Area and 80u" Min Tin Plated on Solder Tail over Nickel 50u".
Signal Contacts : Phosphor Bronze .
 Au+Pd/Ni or Gold Plated on Contact Area and 80u" Min Tin Plated on Solder Tail over Nickel 50u".
Lock: Phosphor Bronze .

Electrical Characteristics:

Current Rating: Signal Pin: 2.5 A.
 Power Pin: 65A(2oz x 6).
Dielectric Withstanding Voltage:
 Signal Pin DC 1000V For 1 minute.
 Power Pin DC 2500V For 1 minute.
Insulator Resistance: Signal Pin 500MΩ max.
 Power Pin 1000MΩ max.
Contact Resistance: Signal Pin 20mΩ max.
 Power Pin 0.7mΩ max.
Operating Temperature: -40°C ~+125°C .

***RoHS Compliant**

Notes :

- H: High density Power---PCB Mount 5.08mm Pitch
- P: DC Power---PCB Mount 6.35mm Pitch
- A: AC Power---PCB Mount 7.62mm Pitch
- S: Signal---PCB Mount 2.54mm Pitch

ROWS	POWER		SIGNAL					POWER			
	P4	P3	6	5	4	3	2	1	P2		P1
D			L	L	L	L	L	L			
C			L	L	L	L	L	L			
B			L	L	L	L	L	L			
A			L	L	L	L	L	L			

POWER CONTACT TO THE TOP DISTANCE 1.78mm, THE MATING LENGTH 4.17mm	FL
POWER CONTACT TO THE TOP DISTANCE 2.34mm, THE MATING LENGTH 3.61mm	FM
POWER CONTACT TO THE TOP DISTANCE 1.07mm, THE MATING LENGTH 4.88mm	FS
SIGNAL CONTACT 3.43 SOLDER TAIL, PD/Ni	L

Tolerances	Dwg. No.	9303-D0000-026	Title:		9303 Series		 OUPIN ELECTRONIC(KUNSHAN) CO., LTD.	
x = ±0.5	Projection		Female Straight Press Fit Type		P/N: 9303-2P02S24P02CxxPLA			
.x = ±0.25	Unit	mm	Scale	1:1	SHEET	1/1	Ver. No.	R5
.xx = ±0.15	Drawn By	XM 07/24'24						