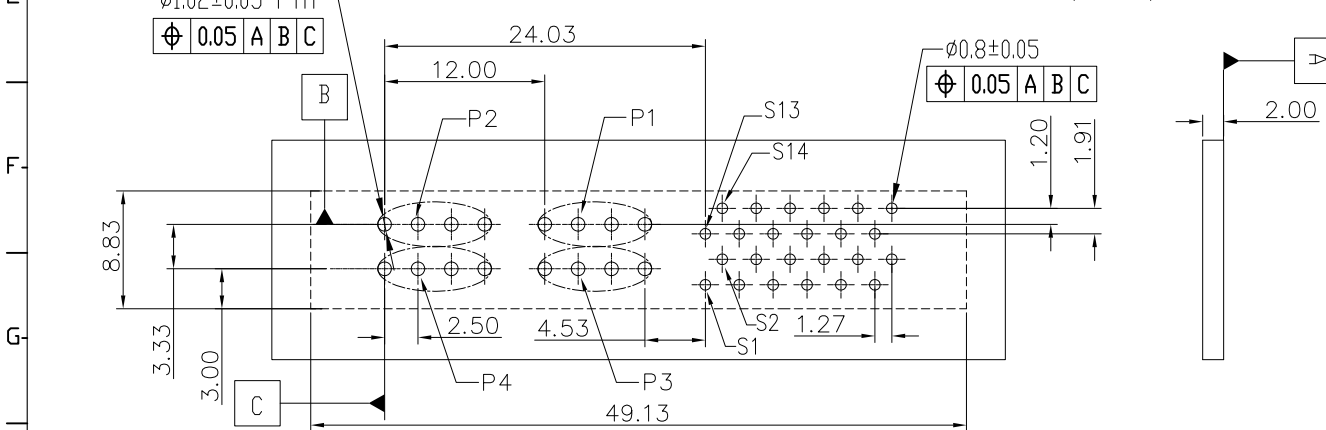
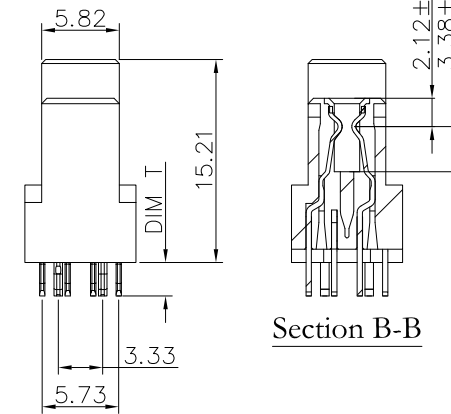
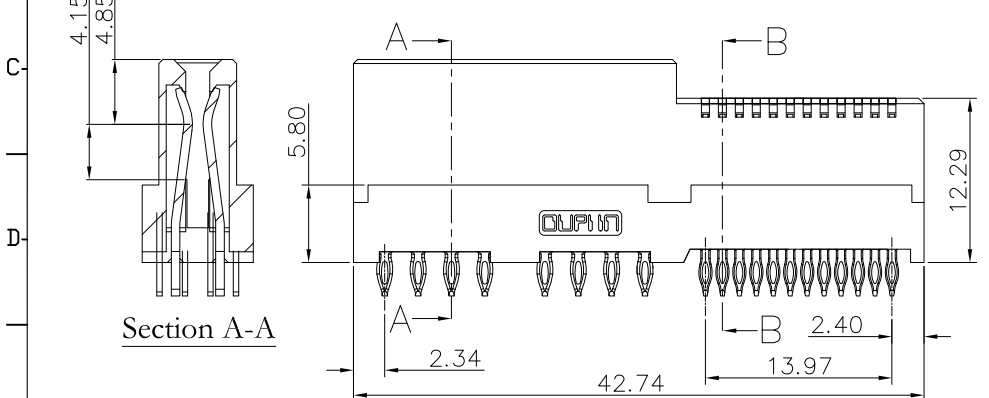
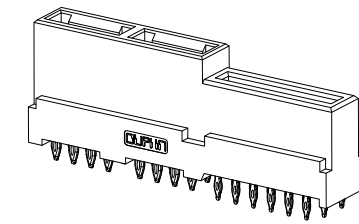
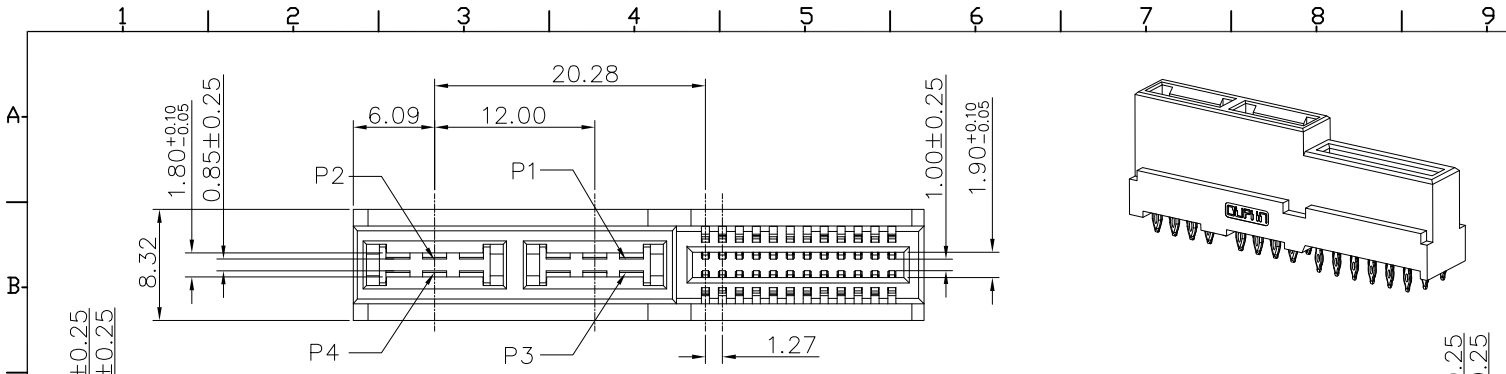


REV.	SPECIFICATION	ECN NO.	APPD.
R10		ECN241248	



Series 9392 - 2 P04 S24 N 1 1 CB 30 P A

2:Female Straight

P04:Power Contact

S24:Signal Pin

N: W/O Post.

1: Without Guides

A:Tray Package

P:Press-Fit Type

30: 30 u"

C:Selective Gold Plated

CB: Dip Tin Plated Contact

Au+Pd/Ni Plated

1: DIM T=2.5mm

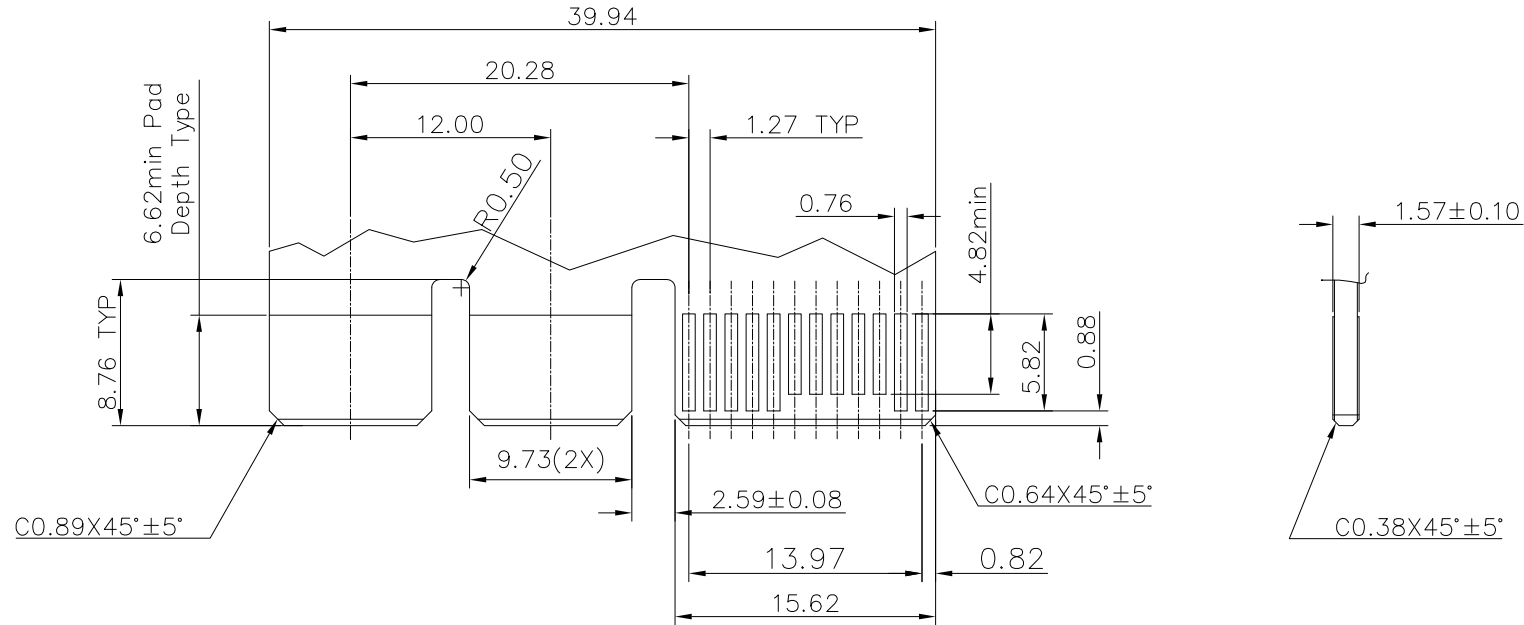
P.C.Board Layout
(Tolerance:±0.05)

Tolerances	Dwg. No.	9392-D0000-046	Title:
x = ±0.5	Projection		9392 Series
.x = ±0.25	Unit	mm	Low Profile Hybrid
.xx = ±0.15	Scale	1:1	Power Receptacle
	Drawn By	GYJ 12/04'24	

⑧(T)

OUPIN			
OUPIN ELECTRONIC(KUNSHAN) CO., LTD.			
P/N: 9392-2P04S24N11CB30PA			
SHEET	1/2	Ver. No.	R10

REV.	SPECIFICATION	ECN NO.	APPD.
R10		ECN241248	



Recommended Edge Card Layout
(Tolerance: ±0.05)

Tolerances	Dwg. No.	9392-D0000-046		Title:	
x = ±0.5	Projection			9392 Series	
.x = ±0.25	Unit	mm	Scale	1:1	Low Profile Hybrid
.xx = ±0.15	Drawn By	GYJ	12/04'24	©(T)	Power Receptacle

OUPIIN ELECTRONIC(KUNSHAN) CO., LTD.			
P/N: 9392-2P04S24N11CB30PA			
SHEET	2/2	Ver. No.	R10