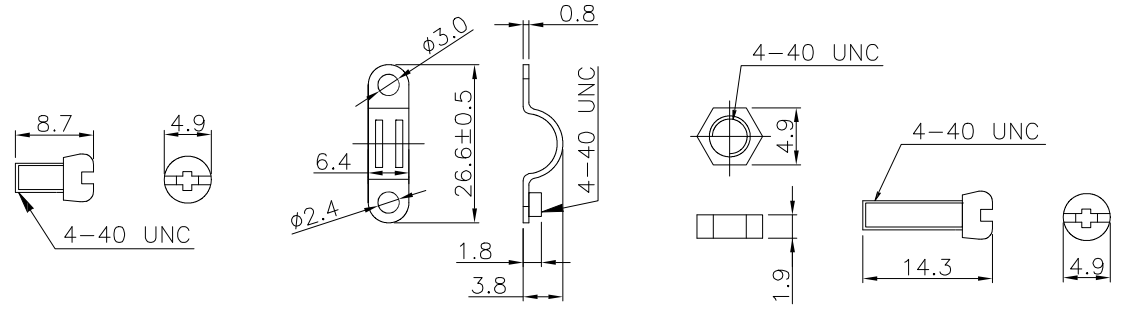
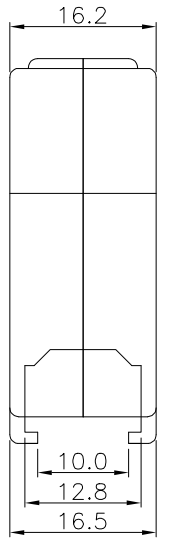
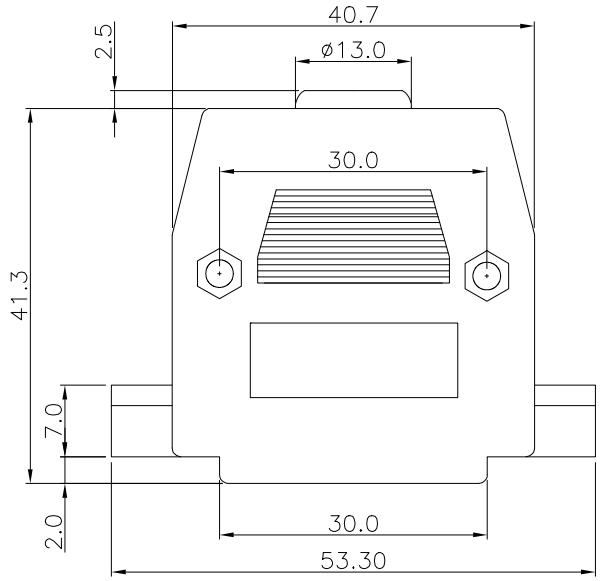
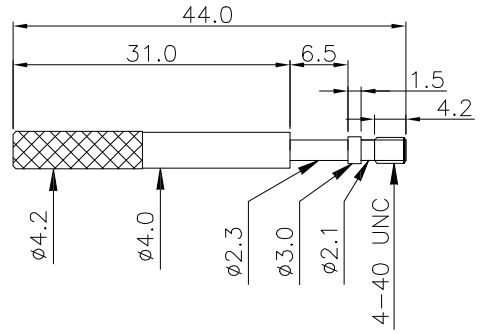
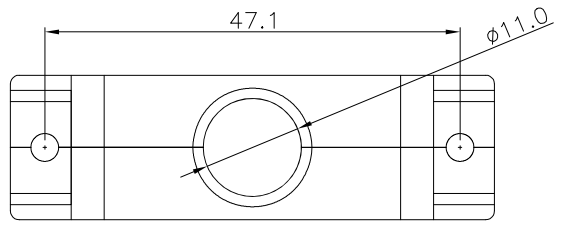

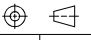


| | | | |
|------|---------------|---------|-------|
| REV. | SPECIFICATION | ECN NO. | APPD. |
| | | | |

Material:
Housing: ABS, UL94V-HB.
Screw: Steel, Chromate Plated.
***RoHS Compliant**



DP- Series 25 Position Y Y:Gray SL SL:Long Screw x B:Bulk Package
P:Individual Package

| | | | | | | |
|---|------------|---|----------|-------------------------------------|--|-----------------|
| Tolerances x. = ±0.80 .x = ±0.50 .xx = ±0.35 | Dwg. No. | DPOOD00014 | | Title: DP Series Plastic Hood |  DUPIN ELECTRONIC(KUNSHAN) CO., LTD. P/N: DP-25YSLx | |
| | Projection |  | Scale | | | 1:N |
| | Unit | mm | Drawn By | | | Martin 01/21'25 |
| | | | | ① 741 | SHEET 1/1 Ver.No. B4 | |