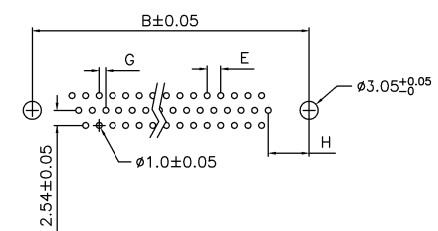
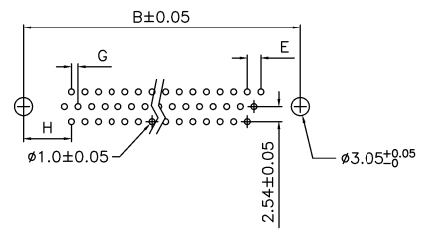
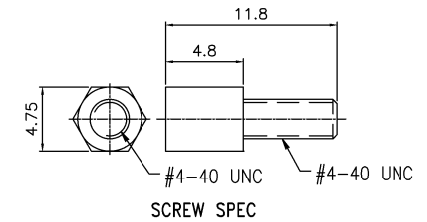
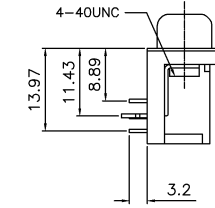
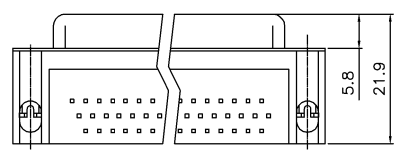
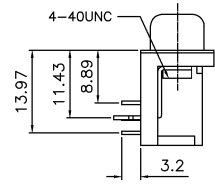
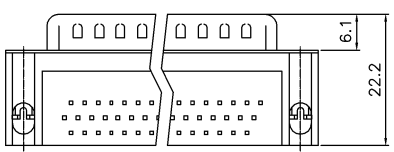
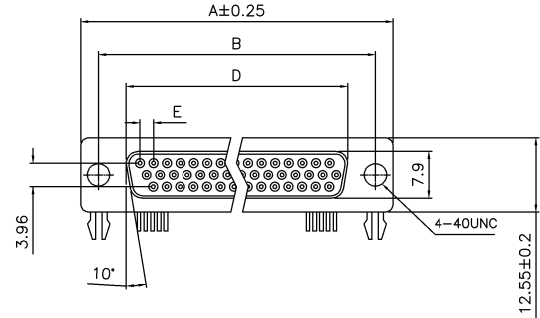
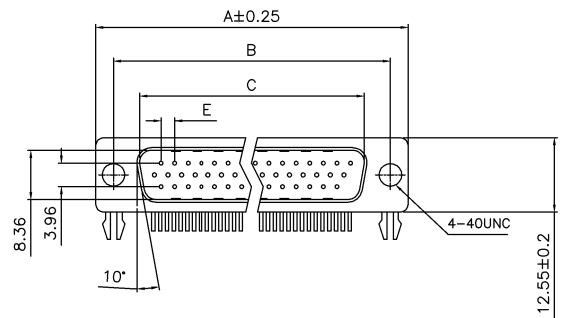


| | | | |
|------|---------------|---------|-------|
| REV. | SPECIFICATION | ECN NO. | APPD. |
|------|---------------|---------|-------|

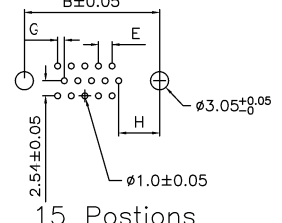
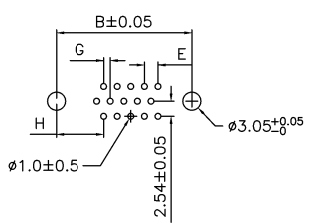
Male

Female



26, 44, 62 Postions

26, 44, 62 Postions



15 Postions
P.C. Board Layout

15 Postions
P.C. Board Layout

Series: 7916-A
Positions: xx x
M: Male
F: Female

H: With Grounding Forks
A: Tray Package
-HT: High Temperature Plastic
With Threaded Inserts and With Jack Screws Are Bagged

| Positions | Dimension | | | | | | |
|-----------|-----------|-------|-------|-------|------|-------|------|
| | A | B | C | D | E | G | H |
| 15 | 30.81 | 24.99 | 16.92 | 16.33 | 2.29 | 1.145 | 7.04 |
| 26 | 39.20 | 33.30 | 25.25 | 24.70 | 2.29 | 1.145 | 6.88 |
| 44 | 53.05 | 47.04 | 38.96 | 38.40 | 2.29 | 1.145 | 6.88 |
| 62 | 69.40 | 63.50 | 55.42 | 54.80 | 2.41 | 1.205 | 7.00 |

| | | | | |
|-------------|------------|----------------|----------|------------------|
| Tolerances | Dwg. No. | S0420220630-04 | | Title: |
| x. = ±0.38 | Projection | | | 7916-A Series |
| .x = ±0.25 | Unit | mm | Scale | H.D.D-SUB |
| .xx = ±0.13 | Drawn By | Martin | 10/12'22 | Right Angle Type |

⑦747

OUPIIN
OUPIIN ELECTRONIC(KUNSHAN) CO., LTD.
P/N: 7916-AxxMHA-HT&7916-AxxFHA-HT
SHEET 1/1 Ver.No. X2