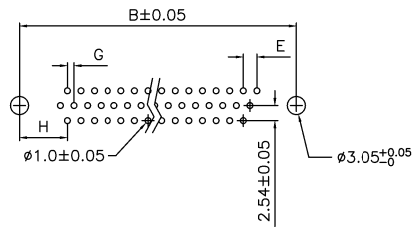
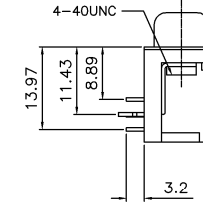
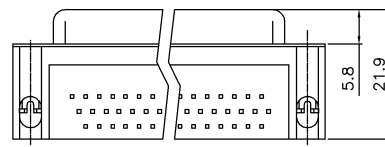
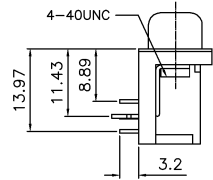
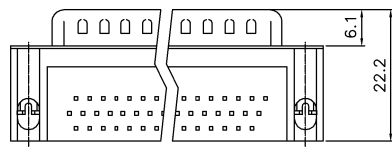
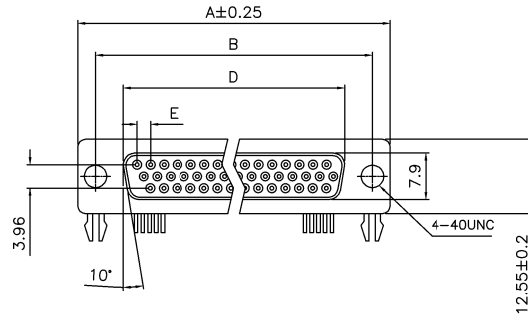
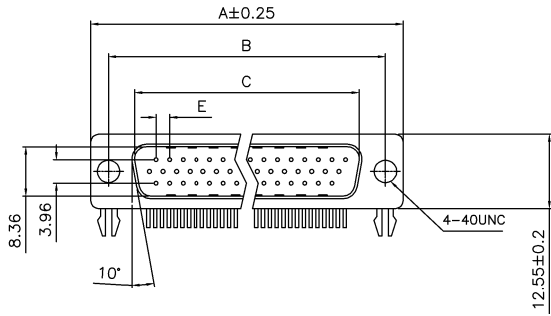


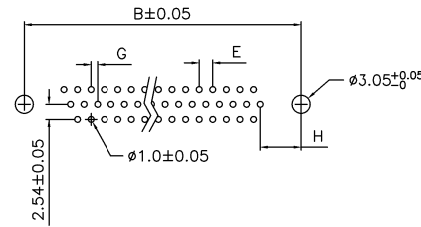
REV.	SPECIFICATION	ECN NO.	APPD.

### Male

### Female



26, 44, 62 Postions

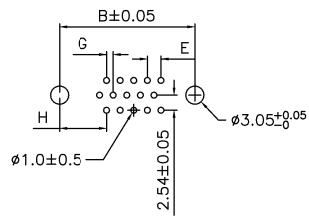


26, 44, 62 Postions

**7916-A xx x B xxx A**

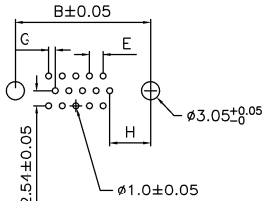
Series ————  
 Position ————  
 M: Male  
 F: Female

—————  
 A: Tray Package  
 Blank: Gold Plated Gold Flash  
 C00: Selective Gold Plated Gold Flash  
 C15: Selective Gold Plated 15u"  
 C30: Selective Gold Plated 30u"  
 B: With Grounding Forks and With Riveted Threaded Inserts.



15 Postions

P.C. Board Layout



15 Postions P.C. Board Layout

Positions	Dimension						
	A	B	C	D	E	G	H
15	30.81	24.99	16.92	16.33	2.29	1.145	7.04
26	39.20	33.30	25.25	24.70	2.29	1.145	6.88
44	53.05	47.04	38.96	38.40	2.29	1.145	6.88
62	69.40	63.50	55.42	54.80	2.41	1.205	7.00

Tolerances	Dwg. No.	7916D03019		Title:
x. = ±0.38	Projection	⊕ ⊖		7916-A Series
.x = ±0.25	Unit	mm	Scale	H.D.D-SUB
.xx = ±0.13	Drawn By	Martin	06/14'22	Right Angle Type

⑦747

<b>OUPIN</b>			
OUPIN ELECTRONIC(KUNSHAN) CO., LTD.			
P/N: 7916-AxxMBxxxA&7916-AxxFBxxxA			
SHEET	1/1	Ver.No.	A2