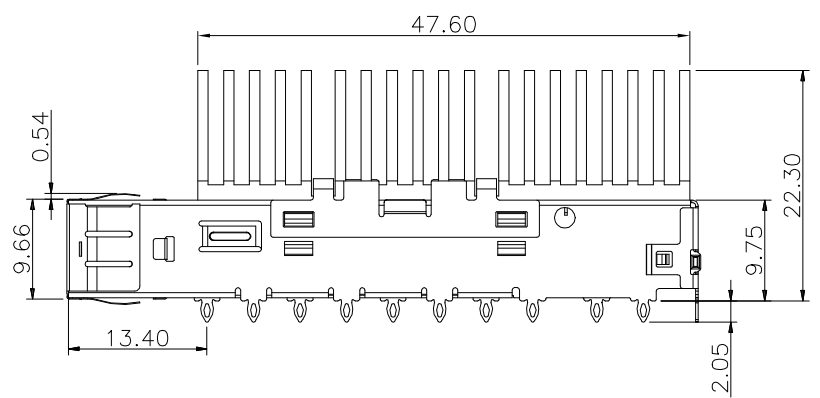
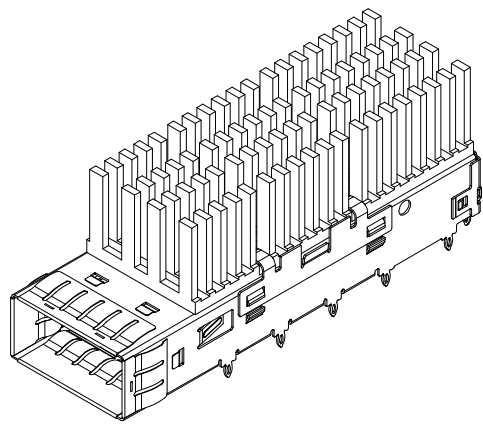
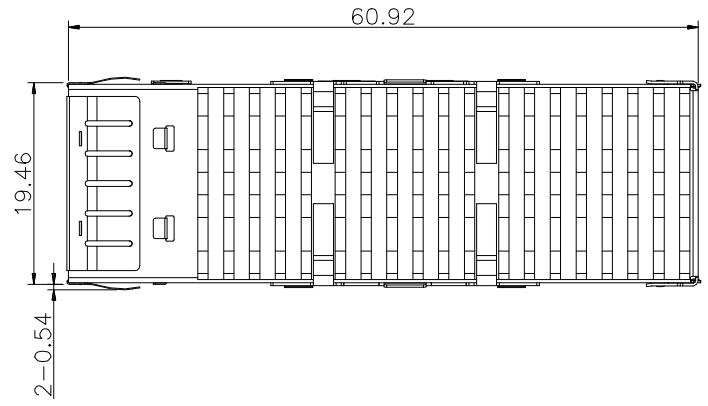
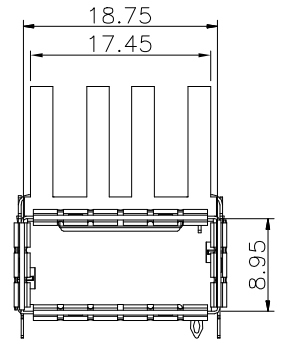


REV.	SPECIFICATION	ECN NO.	APPD.

**Material:**  
 Cage: Cu-Ni Alloy, 20~50u" Nickel Plated.  
 HeatSink: Aluminum.  
 Clip: Stainless Steel.  
**\*RoHS Compliant**



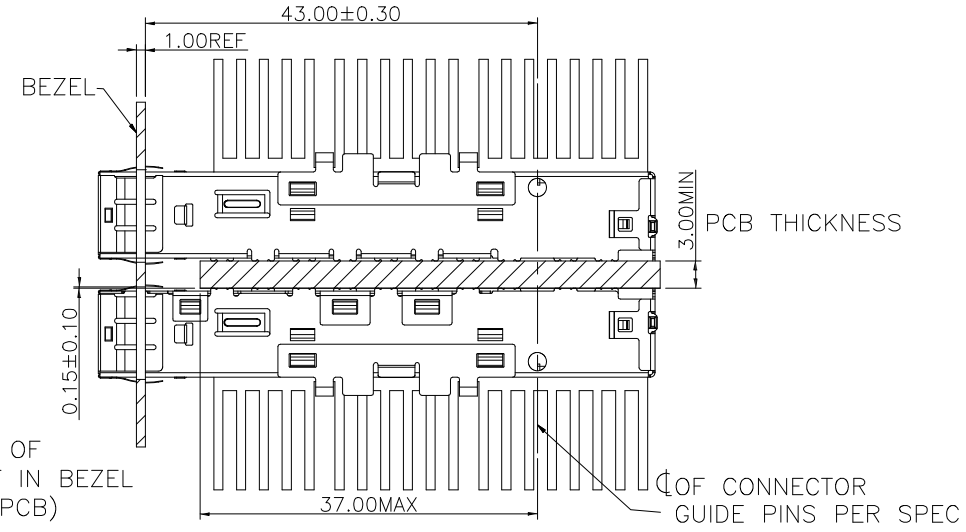
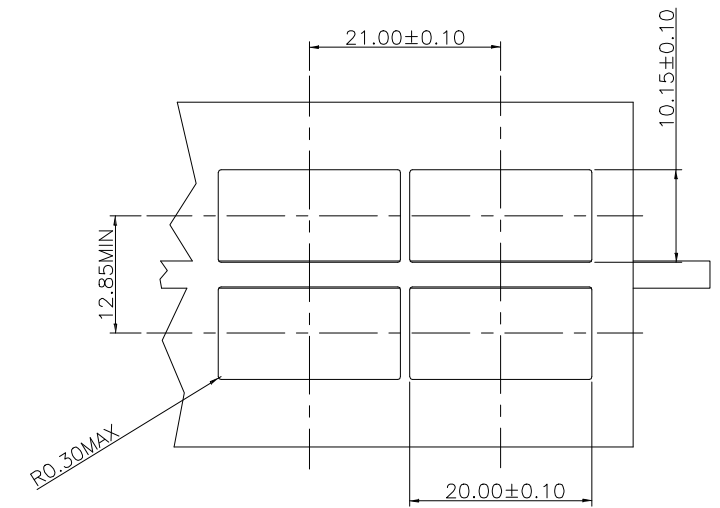
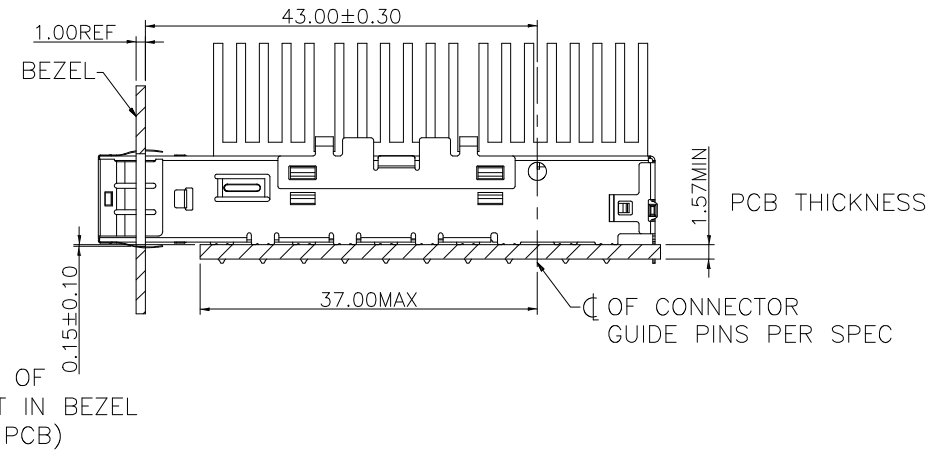
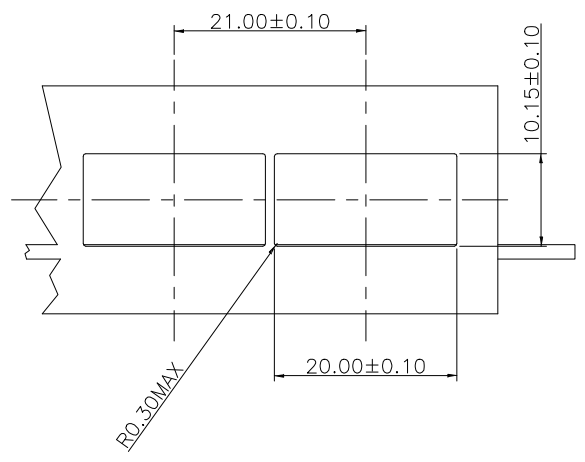
(After inserting the fiber optic plug increased by 1.00mmMax)



8955-A 1X1 P P 0 7 A  
 Series ——— 8955-A  
 1X1:1 Port ——— 1X1  
 P:Press Fit ——— P  
 P:Spring Plus ——— P  
 0 ——— 0  
 7 ——— 7  
 A ——— A: Tray Package  
 ——— 7: With Heatsink 22.3mm  
 ——— 0:Without Light Pipe

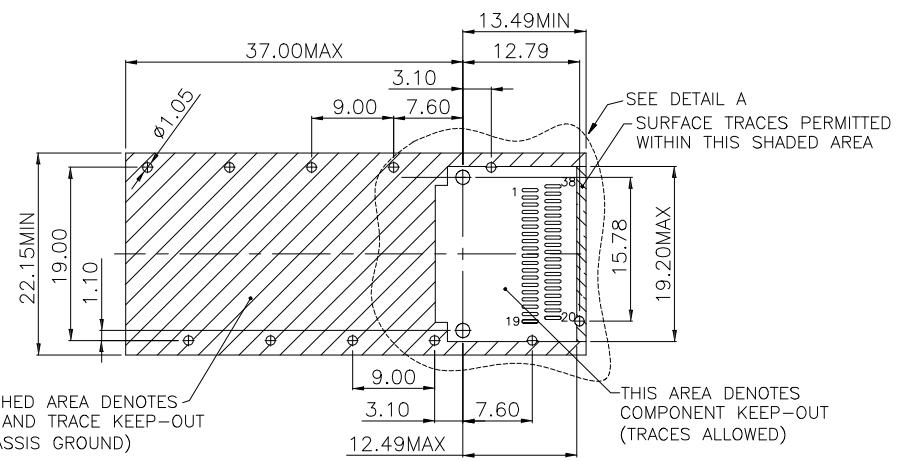
Tolerances .x = ±0.35 .xx = ±0.25 .xxx = ±0.15	Dwg. No.	S3220220615-01	Title:		 OUPIIN ELECTRONIC(KUNSHAN) CO., LTD. P/N: 8955-A1X1PP07A SHEET 1/3 Ver.No. X2
	Projection		8955-A Series		
	Unit	mm	Scale	1:N	
	Drawn By	Martin 11/14'23	QSF28 Cage With Heatsink		
			① 665		

REV.	SPECIFICATION	ECN NO.	APPD.

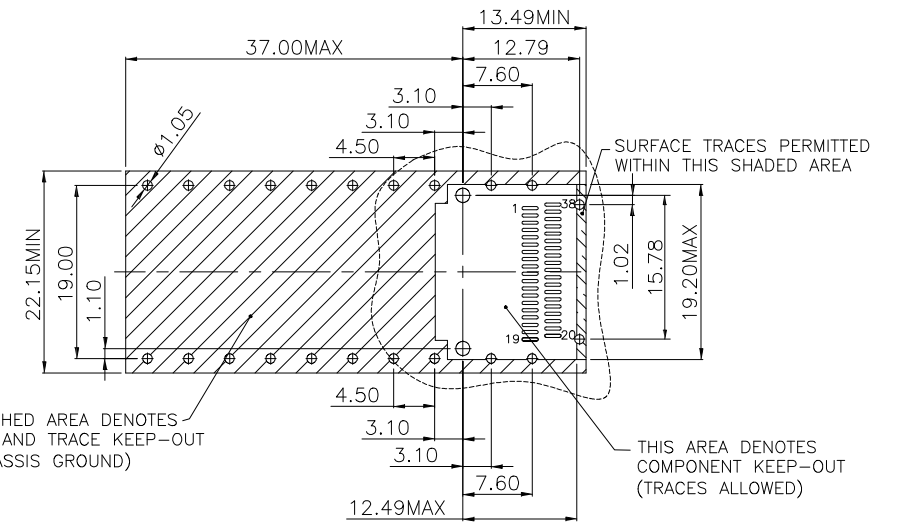


<b>Tolerances</b> .x = ±0.35 .xx = ±0.25 .xxx = ±0.15	<b>Dwg. No.</b>	S3220220615-01		<b>Title:</b> 8955-A Series QSFP28 Cage With Heatsink 665	 <b>OUPIN ELECTRONIC(KUNSHAN) CO., LTD.</b> P/N: 8955-A1X1PP07A	
	<b>Projection</b>					
	<b>Unit</b>	mm	<b>Scale</b>			1:N
	<b>Drawn By</b>	Martin 11/14'23				
					<b>SHEET</b> 2/3 <b>Ver.No.</b> X2	

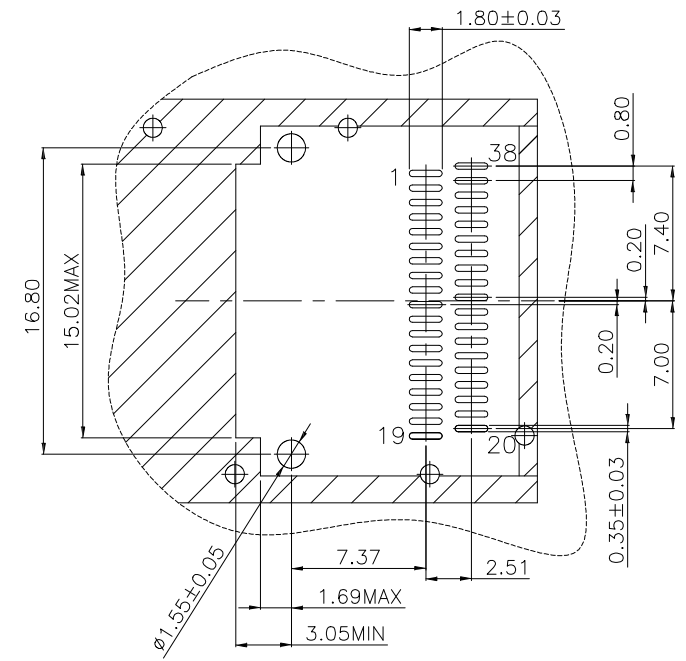
REV.	SPECIFICATION	ECN NO.	APPD.



RECOMMENDED PCB LAYOUT (COMPONENT SIDE)  
 RECOMMENDED MINIMUM PCB THICKNESS:1.57mm  
 (ALL TOLERANCES ARE  $\pm 0.05$ )  
 SINGLE SIDED APPLICATIONS



RECOMMENDED PCB LAYOUT (COMPONENT SIDE)  
 RECOMMENDED MINIMUM PCB THICKNESS:3.00mm  
 (ALL TOLERANCES ARE  $\pm 0.05$ )  
 BELLY TO BELLY APPLICATIONS



Tolerances	Dwg. No.	S3220220615-01		Title:
.x = $\pm 0.35$	Projection			8955-A Series
.xx = $\pm 0.25$	Unit	mm	Scale	1:N
.xxx = $\pm 0.15$	Drawn By	Martin	11/14'23	QSF28 Cage With Heatsink

① 665
-------

<b>OUPIIN</b>			
OUPIIN ELECTRONIC(KUNSHAN) CO., LTD.			
P/N: 8955-A1X1PP07A			
SHEET	3/3	Ver.No.	X2