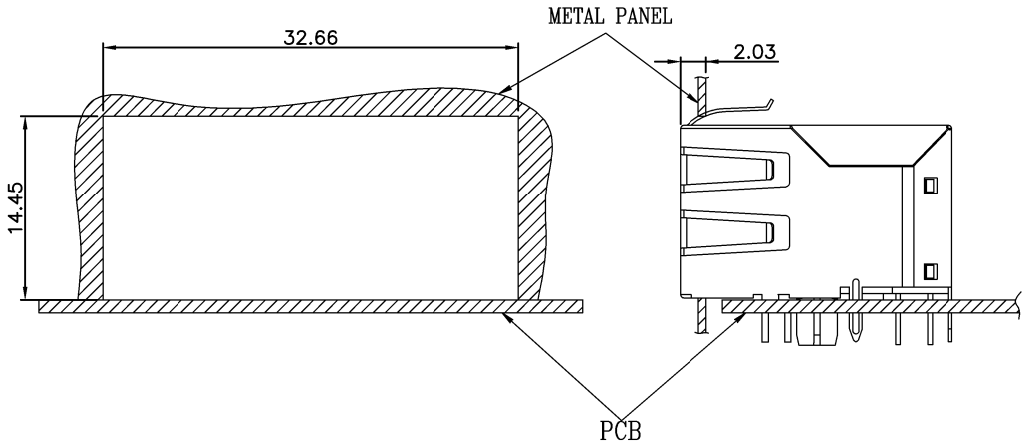
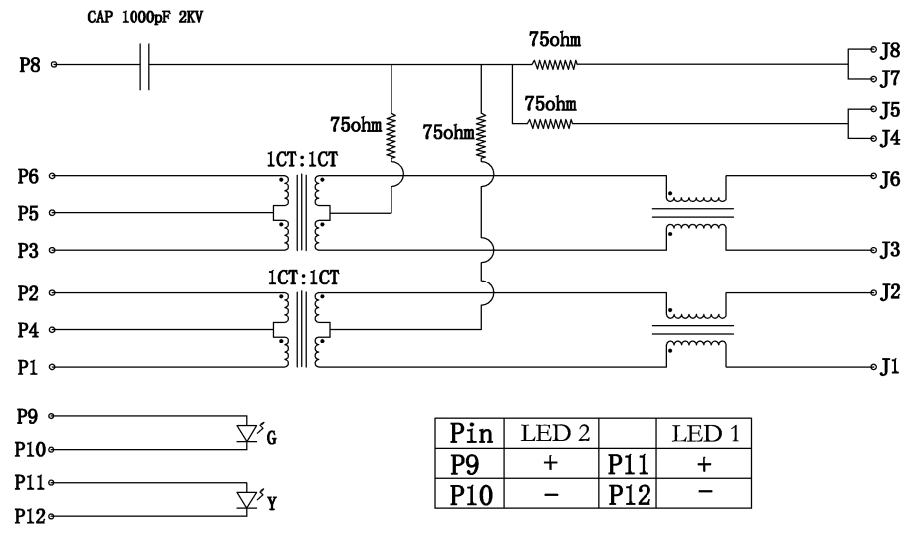


REV.	SPECIFICATION	ECN NO.	APPD.



Recommended Panel Cutout
Tolerances ±0.10



Connector Schematic

Tolerances	Dwg. No.	S0320211021-01		Title: 8949E-M1 Series RJ45 Modular Jack 1X2 Ports With Transformer 100 Base-T	 OUPIIN ELECTRONIC(KUNSHAN) CO., LTD. P/N: 8949E-M1882CxxSC1xB01A		
	±0.254	Projection					
		Unit	mm			Scale	1:N
		Drawn By	Martin 10/21'21			619	
SHEET		2/2	Ver.No.	X1			