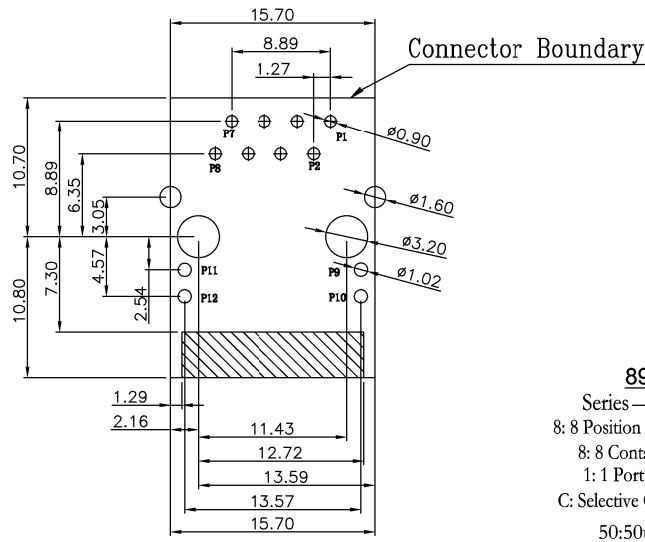
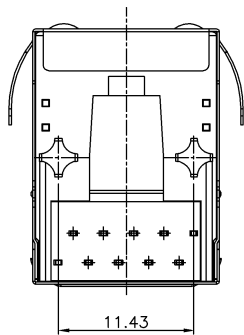
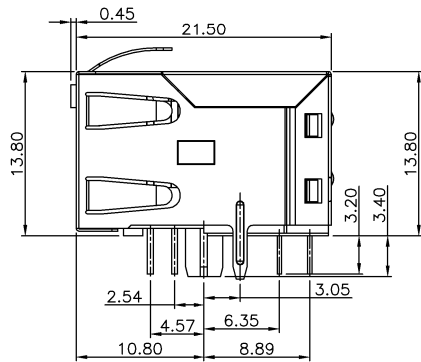
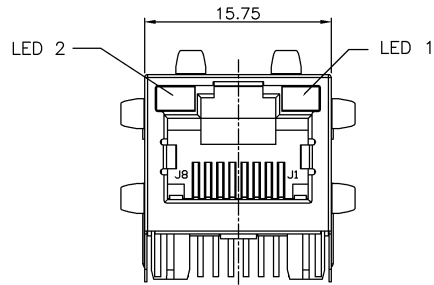


REV.	SPECIFICATION	ECN NO.	APPD.



Recommended PCB Layout
Tolerances ± 0.10
Keep out Area

Material:
Housing: PA66, UL94V-0, Black.
Contacts: Phosphor Bronze, Gold Plated on Contact Area and Tin Plated on Solder tail.
Shield: Brass, Nickel Plated.

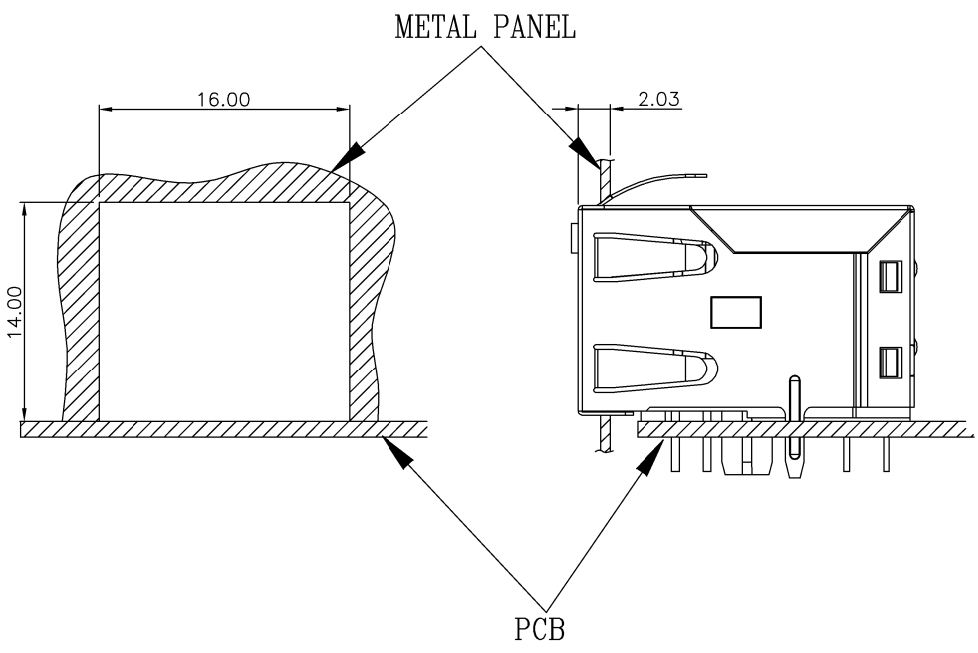
Electrical Characteristics:
Turn Ratio (+/-5%): 1CT:1CT.
Inductance OCL: 350uH Min @ 100KHz 0.1V DC BIAS 8mA.
Insertion Loss: -1.2dB Max @ 1~100 MHz.
Return Loss: -16dB Min @ 1~30 MHz.
-12dB Min @ 30~60 MHz.
-10dB Min @ 60~80 MHz.
Cross talk: -30dB Min @ 1~100 MHz.
Common Mode Rejection: -30dB Min @ 1~100 MHz.
Operating Temperature: -40°C~+85°C.
***RoHS Compliant**

8949E-M 8 8 1 C 50 SC1 B B 06 A

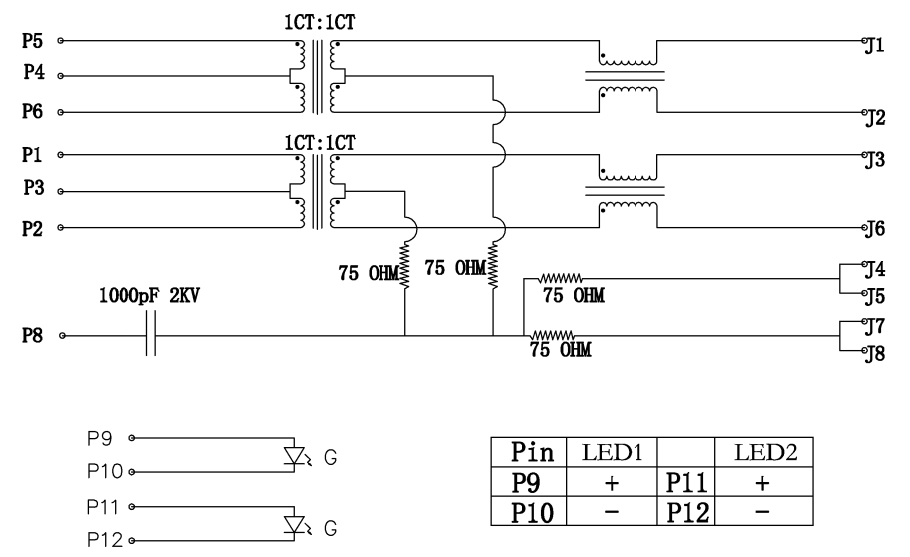
- Series
- 8: 8 Position
- 8: 8 Contact
- 1: 1 Port
- C: Selective Gold Plated
- 50: 50uH
- SC1: SC1 Type
- B: Black
- B: LED 1: Green LED 2: Green
- 06: Type 06
- A: Tray Package

Tolerances	Dwg. No.	S0320220103-01		Title:		 OUPIIN ELECTRONIC(KUNSHAN) CO., LTD. P/N: 8949E-M881C50SC1BB06A SHEET 1/2 Ver.No. X1	
± 0.254	Projection			8949E-M Series			
	Unit	mm	Scale	1:N	RJ45 Modular Jack		
	Drawn By	Martin 01/10'22		With Transformer 100 Base-T			
				① 619			

REV.	SPECIFICATION	ECN NO.	APPD.


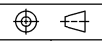


Recommended Panel Cutout
Tolerances ±0.10



Pin	LED1		LED2
P9	+	P11	+
P10	-	P12	-

Connector Schematic

Tolerances		Dwg. No.	S0320220103-01		Title:		 OUPIIN ELECTRONIC(KUNSHAN) CO., LTD. P/N: 8949E-M881C50SC1BB06A	
±0.254	Projection			8949E-M Series				
	Unit	mm	Scale	1:N	RJ45 Modular Jack			
	Drawn By	Martin 01/10'22		With Transformer 100 Base-T				
				① 619	SHEET	2/2	Ver.No.	X1