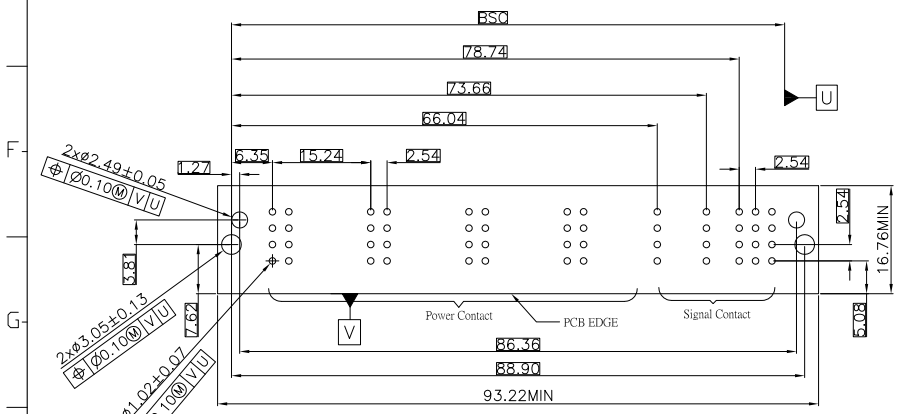
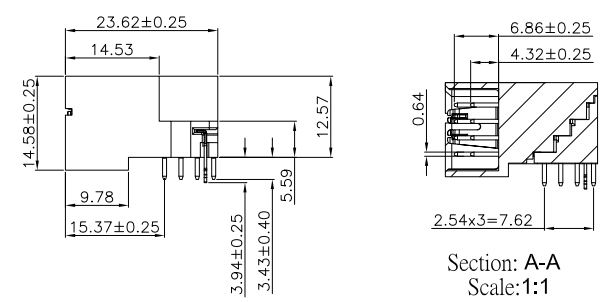
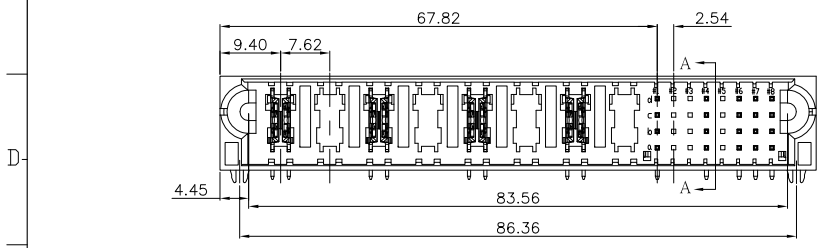
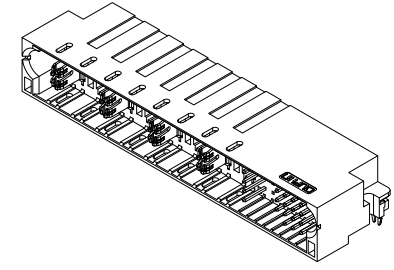
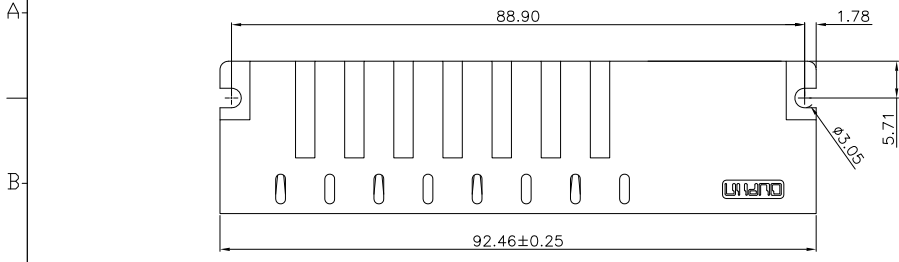


REV.	SPECIFICATION	ECN NO.	APPD.
X2		ECN231012	



9303- 1 A08 S32 CB30 D L A - A030 Internal Code

Series
1: Male Right-angle
Blank: Without Contact
Power Contact: Hxx, Pxx, Axx
No. of position
Blank: Without Contact
Signal Contact: Sxx
No. of position

A: Tray Package
L: With Lock
D: Dip Type
CB30: Contact Au+Pd/Ni, Dip Tin
30: 30 u"
Cxx: Selective Gold Plated
10: 10 u"
30: 30 u"

Material and Plating:
Housing: LCP, UL94V-0, BLACK.
Power Contacts: High Conductivity Copper.
Au+Pd/Ni or Gold Plated on Contact Area and 80u" Min Tin Plated on Solder Tail over Nickel 50u".
Signal Contacts : Brass.
Au+Pd/Ni or Gold Plated on Contact Area and 80u" Min Tin Plated on Solder Tail over Nickel 50u".
Lock: Phosphor Bronze.

Electrical Characteristics:
Current Rating: Signal Pin: 2.5 A.
Power Pin: 65A(2oz x 6).
Dielectric Withstanding Voltage:
Signal Pin DC 1000V For 1 minute.
Power Pin DC 2500V For 1 minute.
Insulator Resistance: Signal Pin 500MΩ max.
Power Pin 1000MΩ max.
Contact Resistance: Signal Pin 20mΩ max.
Power Pin 0.7mΩ max.
Operating Temperature: -40°C ~ +125°C.

***RoHS Compliant**
Notes 1 : H: High density Power---PCB Mount 5.08mm Pitch
P: DC Power---PCB Mount 6.35mm Pitch
A: AC Power---PCB Mount 7.62mm Pitch
S: Signal---PCB Mount 2.54mm Pitch
Notes 2:
P2,P4,P6,P8 Without Contact.
Row S2, S3, S5 Without Contact.
Row S4 Contact Length is 4.32mm.
Other Contact Length is 6.86mm.

ROWS	POWER								SIGNAL							
	P1	P2	P3	P4	P5	P6	P7	P8	1	2	3	4	5	6	7	8
D									G	H	G	G	G	G		
C									G	H	G	G	G	G		
B									G	H	G	G	G	G		
A									G	H	G	G	G	G		

SIGNAL PIN CONTACT LENGTH 4.32mm	H
SIGNAL PIN CONTACT LENGTH 5.59mm	E
SIGNAL PIN CONTACT LENGTH 7.05mm	F
SIGNAL PIN CONTACT LENGTH 6.86mm	G
HOT PLUG POWER CONTACT.STD	MS

P.C.Board Layout
(Tolerance:±0.05)

Tolerances	Dwg. No.	9303-D0000-132	Title:	9303 Series	 OUPIN ELECTRONIC(KUNSHAN) CO., LTD. P/N: 9303-1A08S32CB30DLA-A030				
x = ±0.5	Projection		Male Right-angle Dip Type						
.x = ±0.25	Unit	mm	Scale	1:1					
.xx = ±0.15	Drawn By	XS 10/13'23			<table border="1"> <tr> <td>SHEET</td> <td>1/1</td> <td>Ver. No.</td> <td>X2</td> </tr> </table>	SHEET	1/1	Ver. No.	X2
SHEET	1/1	Ver. No.	X2						