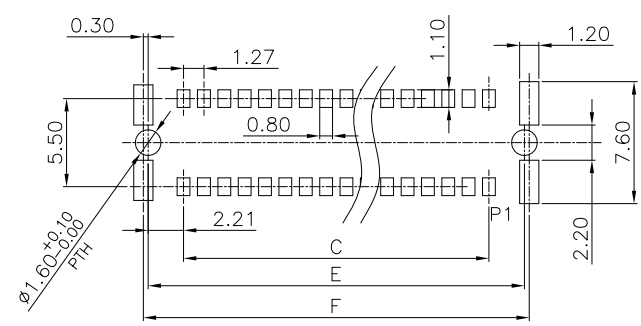
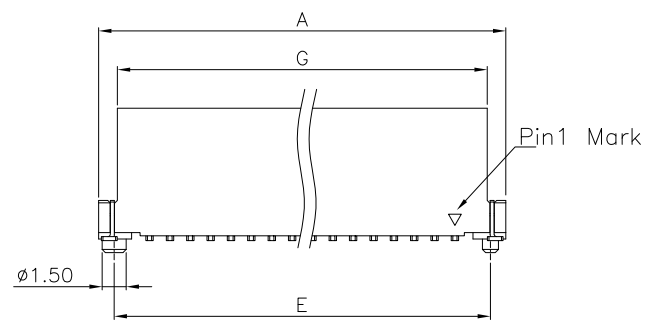
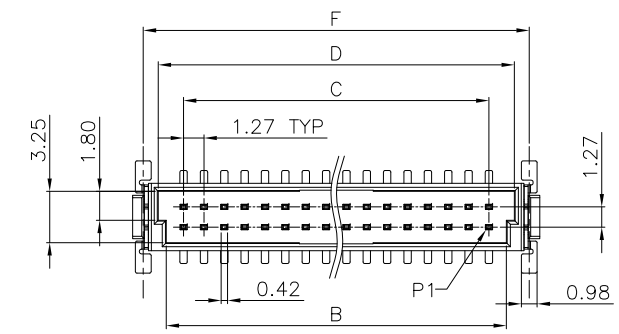
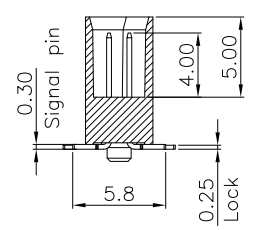
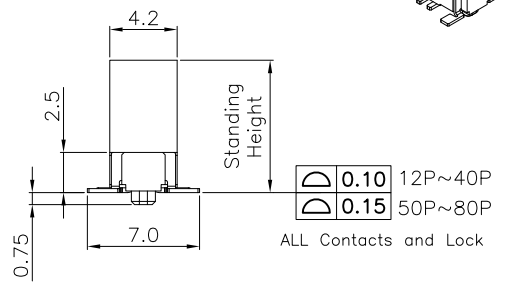
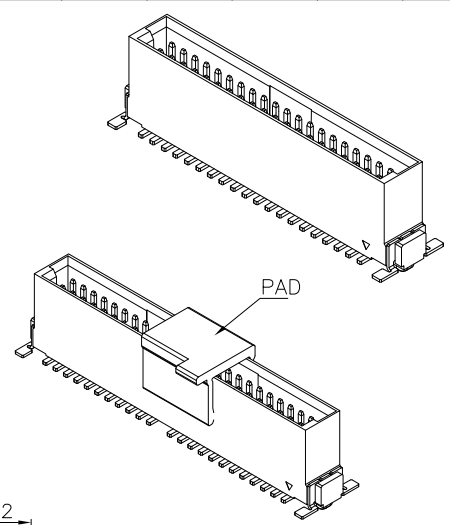


1 2 3 4 5 6 7 8 9 10 11 12

A B C D E F G H



P.C. Board Layout (TOP View)
(Tolerance ±0.05)



SECTION A-A
SCALE 1:1

REV.	SPECIFICATION	ECN NO.	APPD.
X4			

Material and Plating:

Housing: LCP, UL94V-0, BLACK.
Signal Contacts: Brass.
Gold plated on Contact Area and 80u" Min Tin Plated on Solder Tail over nickel 50u" Min .
Locks: Brass.
100u" Min Tin Plated over nickel 50u" Min .

Electrical Characteristics:

Current Rating: 1.7A.
Dielectric Withstanding Voltage: AC 500V .
Insulator Resistance: 1000MΩ min.
Contact Resistance: 25mΩ max. at DC 100mA.
Operating Temperature: -55°C~+125°C.

***RoHS Compliant**

2321-A xx M C 00 D P x T -P
Series ————
Position ————
M: Male
C: Selective Gold Plated
00: Gold Flash
05: 5μ"
30: 30μ"
P: Plastic Pad
T: Tape&Reel Package
1: Standing Height =6.75mm
2: Standing Height =8.25mm
3: Standing Height =9.85mm
P: With Post
D: SMD Type

Code		Dimension							
1	2	3	A	B	C	D	E	F	G
10	11.43	7.30	5.08	8.30	9.50	10.10	9.10		
12	12.7	8.57	6.35	9.57	10.77	11.37	10.37		
16	15.24	11.11	8.89	12.11	13.31	13.91	12.91		
20	17.78	13.65	11.43	14.65	15.85	16.45	15.45		
24	20.32	16.19	13.97	17.19	18.39	18.99	17.99		
26	21.59	17.46	15.24	18.46	19.66	20.26	19.26		
30	24.13	20.00	17.78	21.00	22.20	22.80	21.80		
32	25.40	21.27	19.05	22.27	23.47	24.07	23.07		
40	30.48	26.35	24.13	27.35	28.55	29.15	28.15		
50	36.83	32.70	30.48	33.70	34.90	35.50	34.50		
68	48.26	44.13	41.91	45.13	46.33	46.93	45.93		
80	55.88	51.75	49.53	52.75	53.95	54.55	53.55		
Code		1	2		3				
X(2321-AxxM)		6.75		8.25		9.85			
Y(2321-AxxF)		6.25	9.05	13.65	6.25	9.05	13.65	6.25	9.05
H(Mating)		8.0	10.8	15.4	9.5	12.3	16.9	11.1	13.9

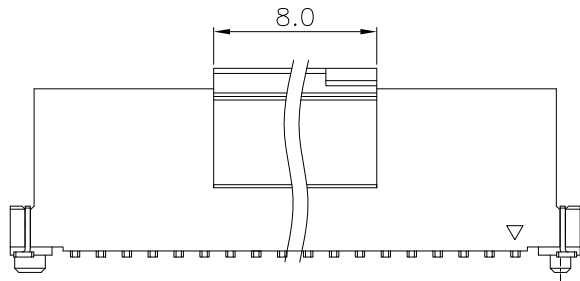
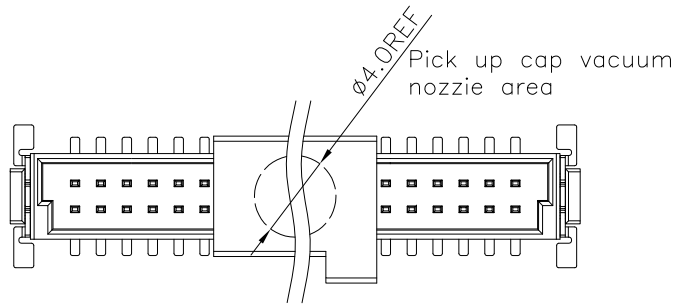
Tolerances	Dwg. No.	2321-D0000-001
x = ±0.50	Projection	
.x = ±0.25	Unit	mm
.xx = ±0.15	Scale	1:1
	Drawn By	SXH 06/20'24

Title:
2321-A Series
1.27mm Pitch SMC Male
B TO B SMD Type Connector

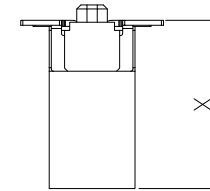
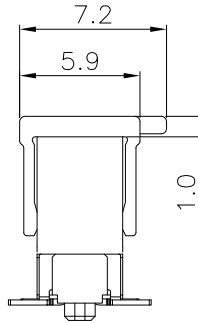
OUPIN
OUPIN ELECTRONIC(KUNSHAN) CO., LTD.
P/N: 2321-AxxMC00DPxT-P
SHEET 1/2 Ver.No. X4

1 2 3 4 5 6 7 8 9 10 11 12

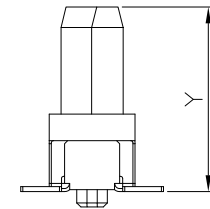
REV.	SPECIFICATION	ECN NO.	APPD.
X4			



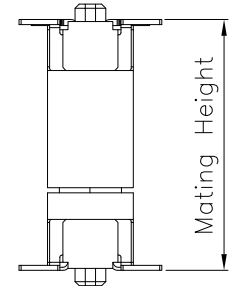
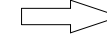
Shown With Plastic Pad



2321-AxxM



Mating



Tolerances x = ±0.50 .x = ±0.25 .xx = ±0.15	Dwg. No.	2321-D0000-001		Title: 2321-A Series 1.27mm Pitch SMC Male B TO B SMD Type Connector	 OUPIIN ELECTRONIC(KUNSHAN) CO., LTD.				
	Projection							P/N: 2321-AxxMC00DPxT-P	
	Unit	mm	Scale		1:1	SHEET	2/2		
	Drawn By	SXH 06/20'24							