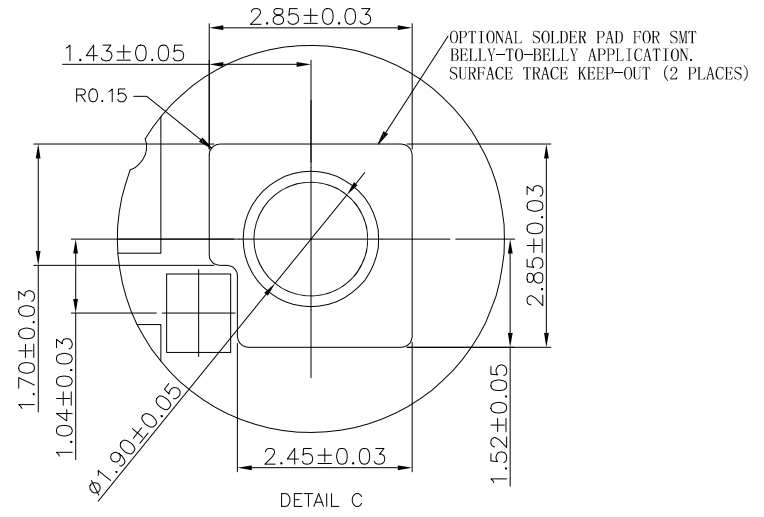
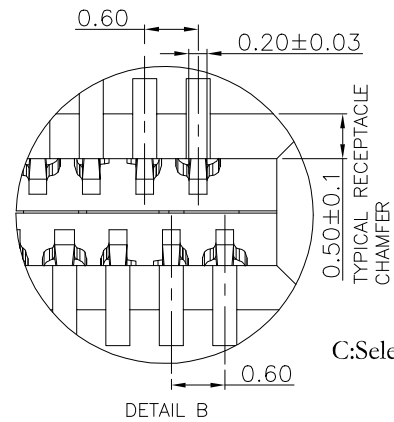
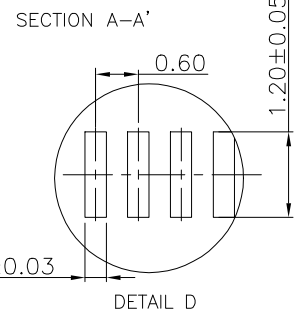
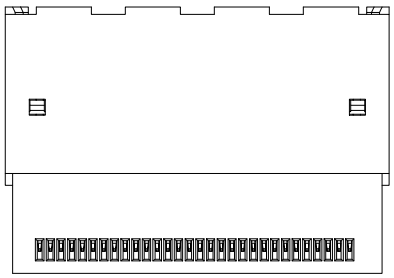
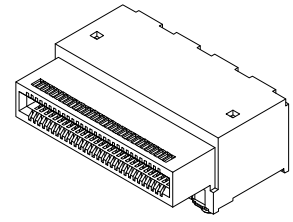
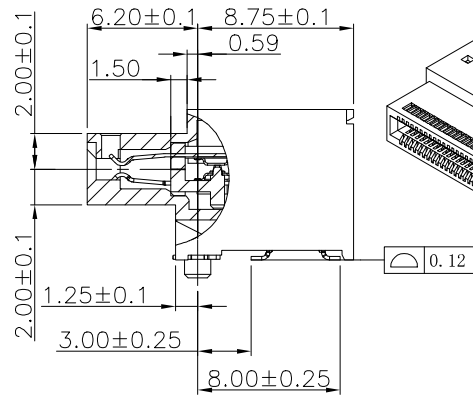
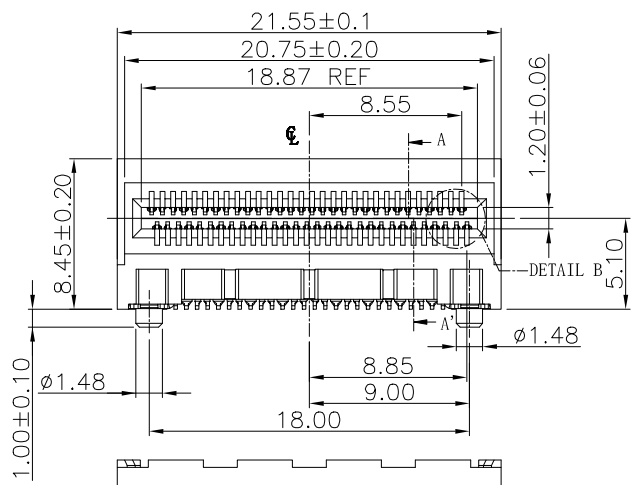
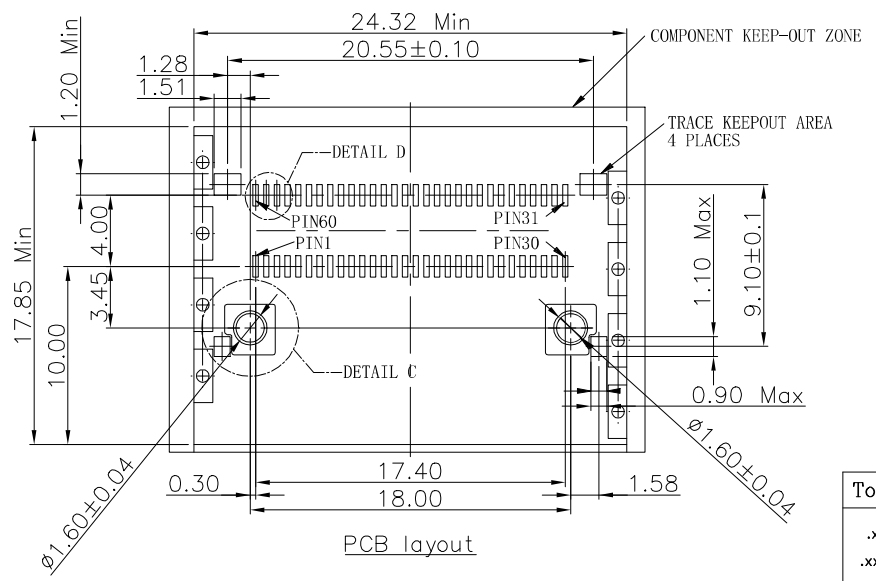


REV.	SPECIFICATION	ECN NO.	APPD.



Series: 8980-A
 Positions: 60
 C: Selective Gold Plated
 30:30u"
 D: SMD Type
 P: With Post
 T: Tape & Reel Package



Tolerances	Dwg. No.	S6520241014-01	Title:	8980-A Series
.x = ±0.30	Projection		OSFP112 Connector	SMD Type
.xx = ±0.25	Unit	mm	Scale	1:N
.xxx = ±0.15	Drawn By	Martin 10/14'24	665	

Title: 8980-A Series
 OSFP112 Connector
 SMD Type

OUPIIN			
OUPIIN ELECTRONIC(KUNSHAN) CO., LTD.			
P/N: 8980-A60C30DPT			
SHEET	1/1	Ver.No.	X1

Material:
 Housing: LCP, UL94V-0, Black.
 Contacts: Cu-Ni-Si Alloy, Gold Plated on Contact Area and 100u" Matte Tin Plated on Solder Tail over Nickel 50u".
 Solder Pad: Cu-Ni-Si Alloy.
Electrical Characteristics:
 Current Rating: 0.5 AMP.
 Dielectric Withstanding Voltage: AC 300V.
 Insulation Resistance: 1000MΩ min.
 Contact Resistance: 50mΩ max.
 Operating Temperature: -40°C~+85°C.
***RoHS Compliant**