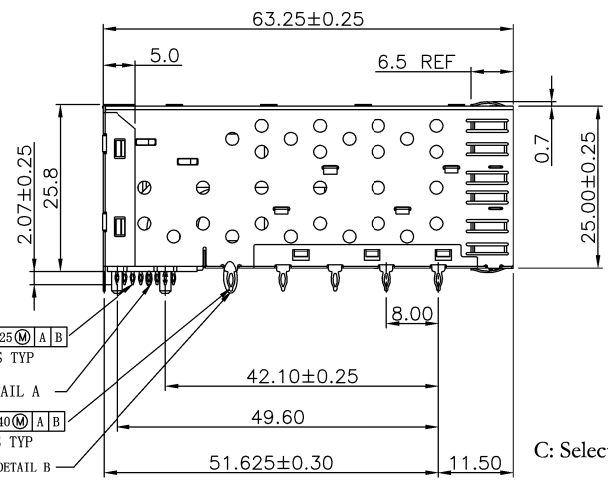
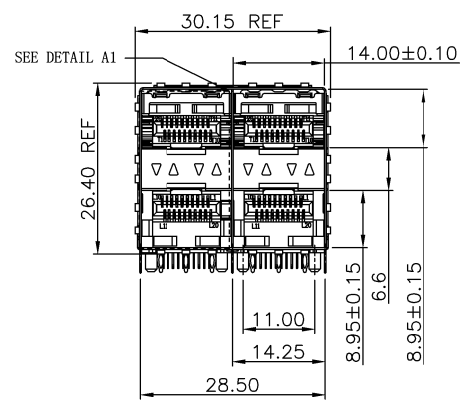
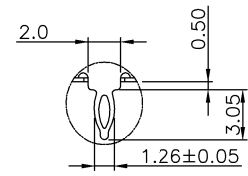
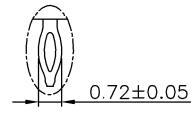
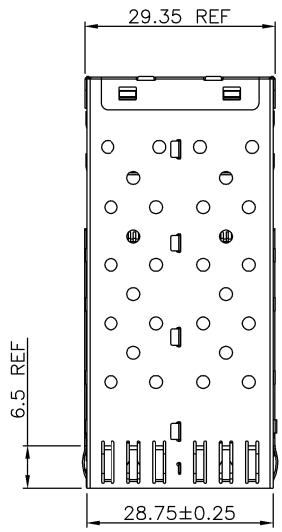



REV.	SPECIFICATION	ECN NO.	APPD.

Material:
Housing: LCP, UL94V-0, Black.
Contacts: Phosphor Bronze, Gold Plated on Contact Area and 100u"Matte Tin Plated on Solder Tail over 50u"Nickel.
Cage: Cu-Ni Alloy.
Light Pipes: Polycarbonate, UL94V-0, Clear.
Lighth Pipes Housing: PBT, UL94V-0, Black.
Electrical Characteristics:
Current Rating: 0.5 AMP.
Dielectric Withstanding Voltage: AC 300V .
Insulation Resistance: 1000MΩ min.
Contact Resistance: 10mΩ max.
Operating Temperature: -40°C~+85°C.
***RoHS Compliant**

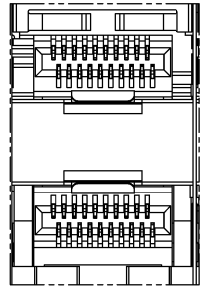


⌀0.25 (M) A B
 SIGNALS TYP
 SEE DETAIL A
 ⌀0.40 (M) A B
 GROUNDS TYP
 SEE DETAIL B

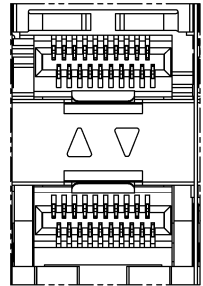
8952-E 2X2 C 15 P S x A
 Series ———
 2X2 Port ———
 C: Selective Gold Plated ———
 15:15u" ———
 30:30u" ———
 A: Tray Package ———
 0: Without Light Pipes ———
 1: With Inner Light Pipes ———
 2: With Outer Light Pipes ———
 3: With Inner & Outer Light Pipes ———
 S: Spring ———
 P: Press Fit ———

Tolerances	Dwg No.	8952DC0019		Title:	8952-E Series			
.x = ±0.25	Projection	⊕ ◀			SFP 2X2 Cage			
.xx = ±0.13	Unit	mm	Scale	1:N	Press Fit Type With Connector			
.xxx = ±0.10	Drawn By	Martin 01/24'22		Ⓟ 619	 OUPIN ELECTRONIC(KUNSHAN) CO., LTD. P/N: 8952-E2X2C15PSxA			
					SHEET	1/5	Ver.No.	A1

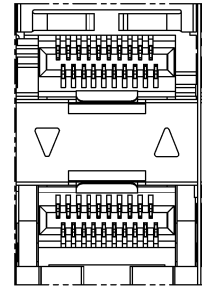
REV.	SPECIFICATION	ECN NO.	APPD.



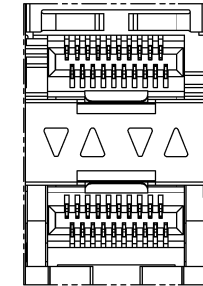
Without Light Pipes



With Inner Light Pipes

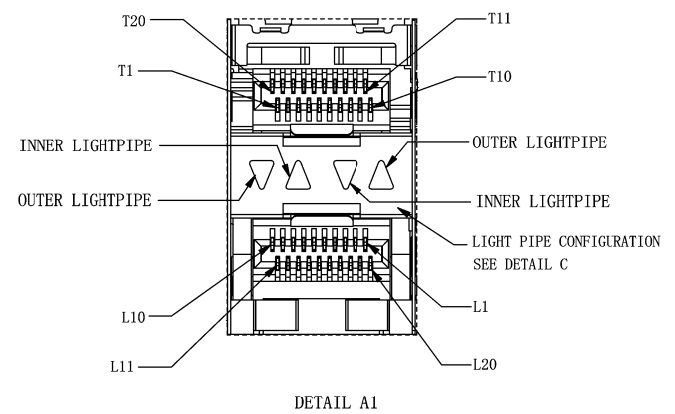


With Outer Light Pipes


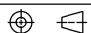


With Inner & Outer Light Pipes

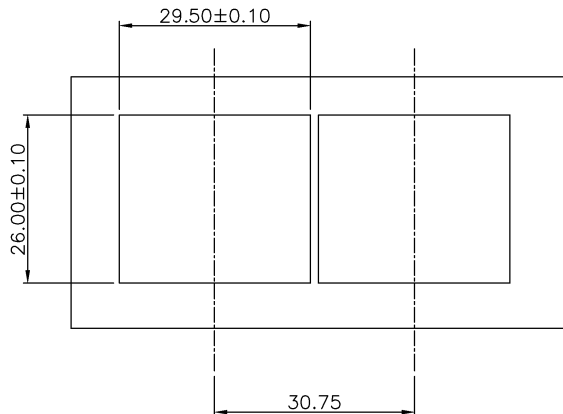
LIGHT PIPE CONFIGURATION
DETAIL C



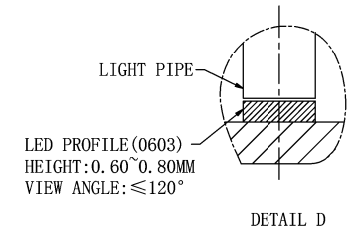
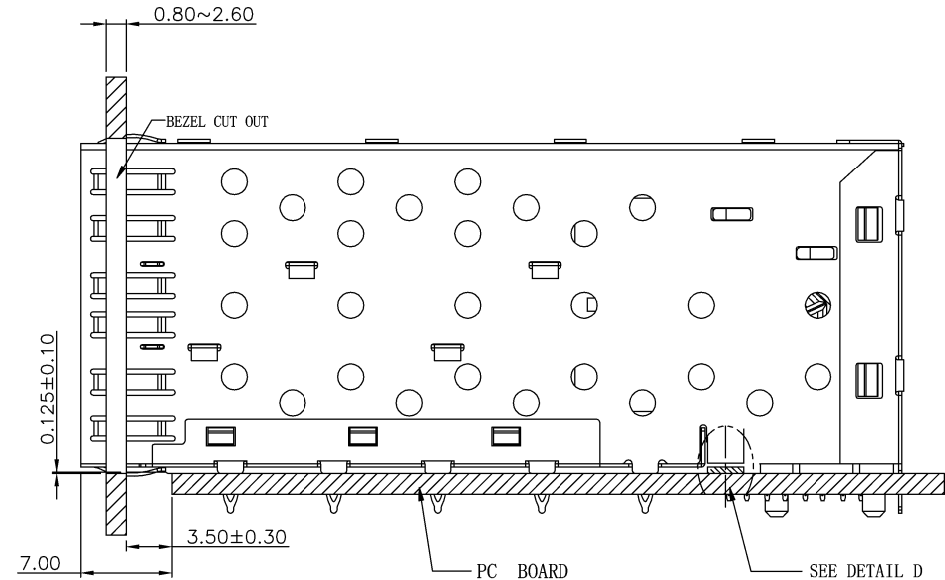
DETAIL A1


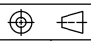
Tolerances	Dwg No.	8952DC0019		Title: 8952-E Series		 OUPIIN ELECTRONIC(KUNSHAN) CO., LTD.	
.x = ±0.25	Projection			SFP 2X2 Cage			
.xx = ±0.13	Unit	mm	Scale	1:N	Press Fit Type With Connector		SHEET
.xxx = ±0.10	Drawn By	Martin 01/24'22		619	2/5	Ver.No.	

REV.	SPECIFICATION	ECN NO.	APPD.

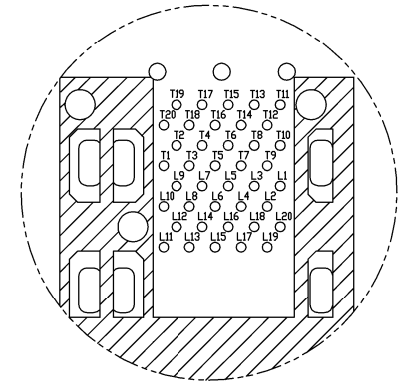
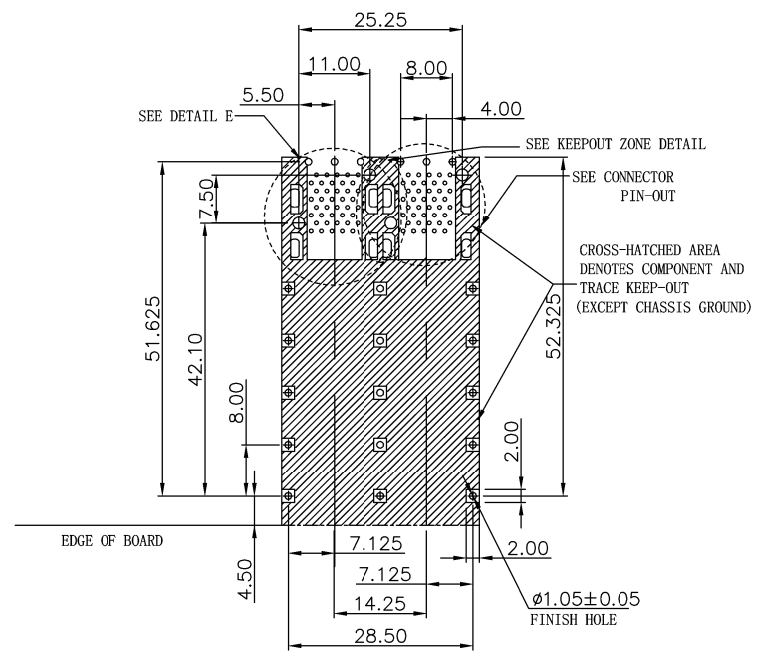


BEZEL CUT-OUT CENTER SPACING DETAIL
 BZZEL THICKNESS:0.8-2.6



Tolerances	Dwg No.	8952DC0019		Title:		 OUPIIN ELECTRONIC(KUNSHAN) CO., LTD. P/N: 8952-E2X2C15PSxA
.x = ±0.25	Projection			8952-E Series		
.xx = ±0.13	Unit	mm	Scale	SFP 2X2 Cage		
.xxx = ±0.10	Drawn By	Martin 01/24'22		Press Fit Type With Connector		SHEET
				① 619		3/5
						Ver.No.
						A1


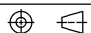
REV.	SPECIFICATION	ECN NO.	APPD.



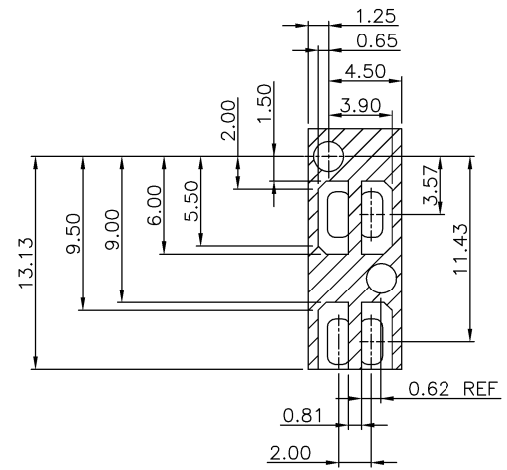
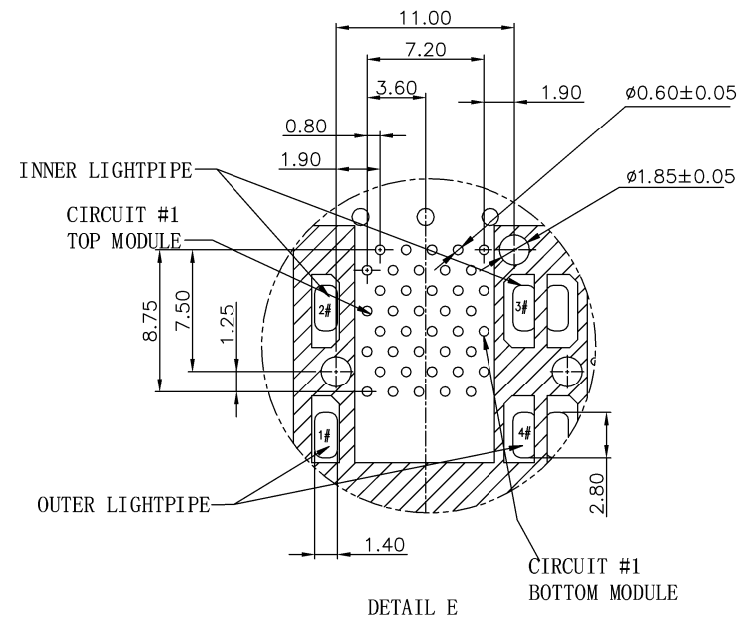
CONNECTOR PIN-OUT
COMPONENT SIDE OF BOARD

RECOMMENDED PCB LAYOUT-COMPONENT SIDE
RECOMMENDED PCB THICKNESS-2.63MM

THE ENTIRE AREA OF THE CONNECTOR FOOTPRINT
TO BE CONSIDERED THE KEEP OUT AREA FOR COMPONENTS
(OTHER THAN LIGHT PIPE LED'S)
THIS AREA IS INDICATED BY THE DASHED LINE

Tolerances	Dwg No.	8952DC0019		Title:		 OUPIIN ELECTRONIC(KUNSHAN) CO., LTD. P/N: 8952-E2X2C15PSxA		
.x = ±0.25	Projection			8952-E Series				
.xx = ±0.13	Unit	mm	Scale	SFP 2X2 Cage				
.xxx = ±0.10	Drawn By	Martin 01/24'22		Press Fit Type With Connector				
				① 619	SHEET	4/5	Ver.No.	A1

REV.	SPECIFICATION	ECN NO.	APPD.



Tolerances	Dwg No.	8952DC0019		Title:	8952-E Series			
.x = ±0.25	Projection				SFP 2X2 Cage			
.xx = ±0.13	Unit	mm	Scale	1:N	Press Fit Type With Connector			
.xxx = ±0.10	Drawn By	Martin 01/24'22		①619				
					OUPIIN ELECTRONIC(KUNSHAN) CO., LTD.			
					P/N: 8952-E2X2C15PSxA			
					SHEET	5/5	Ver.No.	A1