

REV.	SPECIFICATION	ECN NO.	APPD.
X1			

Material and Plating:

Housing: LCP, UL94V-0, BLACK.
 Power Contacts: High Conductivity Copper.
 30u"Au+Pd/Ni on Contact Area and 80u" Min Tin Plated on Solder Tail over Nickel 50u" Min .
 Signal Contacts : Phosphor Bronze.
 30u"Au+Pd/Ni on Contact Area and 80u" Min Tin Plated on Solder Tail over Nickel 50u" Min .

Electrical Characteristics:

Current Rating: Signal Pin 2.5 AMP.
 Power Pin 30 AMP.
 Dielectric Withstanding Voltage:
 Signal Pin DC 1000V For 1 minute.
 Power Pin DC 2500V For 1 minute.
 Insulator Resistance: Signal Pin 5000MΩ min. at DC 500V.
 Power Pin 20000MΩ min. at DC 500V.
 Contact Resistance: Signal Pin 15mΩ max. at DC 20mA.
 Power Pin 0.7mΩ max. at DC 20mA.
 Operating Temperature: -40°C ~+105°C .

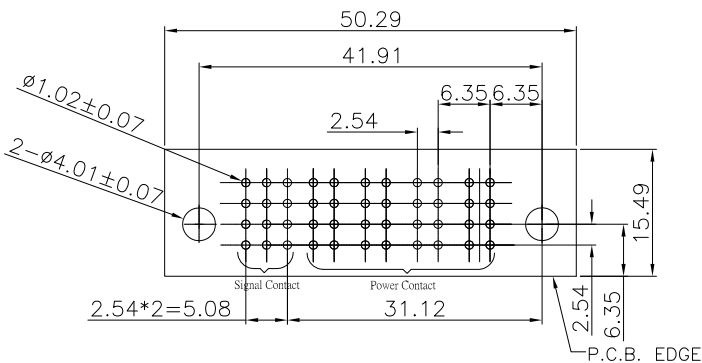
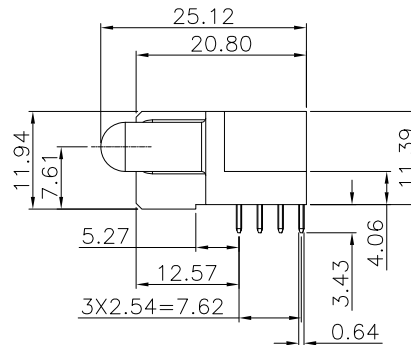
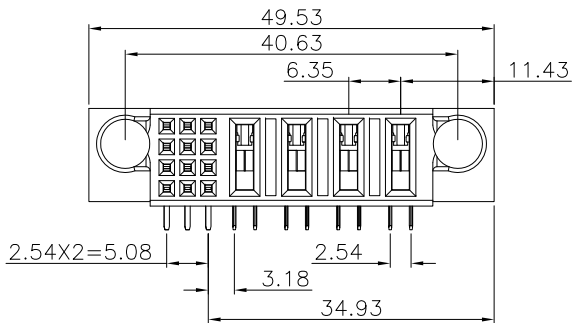
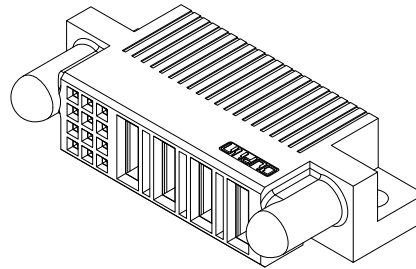
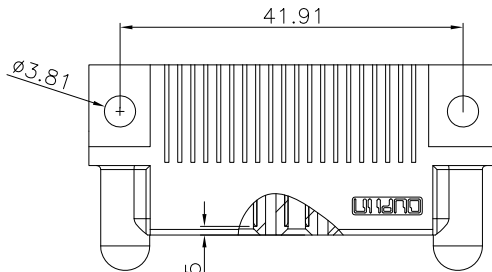
***RoHS Compliant**

Notes 1 :

H: High density Power---PCB Mount 5.08mm Pitch
 P: DC Power---PCB Mount 6.35mm Pitch
 A: AC Power---PCB Mount 7.62mm Pitch
 S: Signal---PCB Mount 2.54mm Pitch

ROWS	SIGNAL				POWER			
	3	2	1	P4	P3	P2	P1	
D	LLL							
C	LLL			FS	FS	FS	FS	
B	LLL							
A	LLL							

POWER CONTACT TO THE TOP DISTANCE 2.34mm, THE MATING LENGTH 4.06mm	FM
POWER CONTACT TO THE TOP DISTANCE 1.07mm, THE MATING LENGTH 5.33mm	FS
SIGNAL CONTACT 3.43 SOLDER TAIL, Pd/Ni	L



P.C.Board Layout
(Tolerance:±0.05)

9391-A 4 S12 P04 CB 30 D A

Series
 4: Femla Right-angle
 Blank: Without Contact
 Signal Contact: S xx
 No. of position
 Blank: Without Contact
 Power Contact: Hxx, Pxx, Axx
 No. of position
 A: Tray Package
 D: Dip Type
 30: 30u"
 CB: Dip Tin Plated
 Contact Au+Pd/Ni Plated

Tolerances	Dwg. No.	9391-D0000-377		Title:	
x = ±0.5	Projection	⊕ ⊖		9391 Series Female Right-angle Dip Type	
.x = ±0.25	Unit	mm	Scale		1:1
.xx = ±0.15	Drawn By	XS 03/25'23			

OUPIN			
OUPIN ELECTRONIC(KUNSHAN) CO., LTD.			
P/N: 9391-A4S12P04CB30DA			
SHEET	1/1	Ver. No.	X1