

REV.	SPECIFICATION	ECN NO.	APPD.

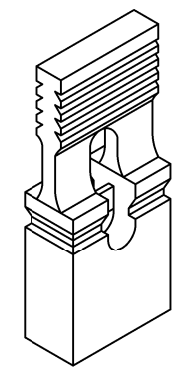
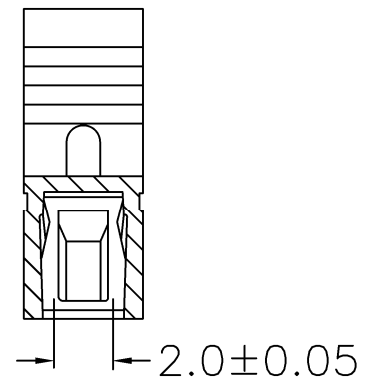
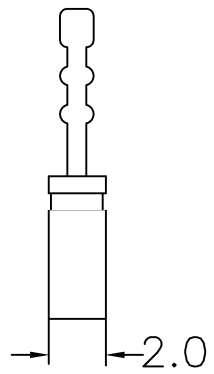
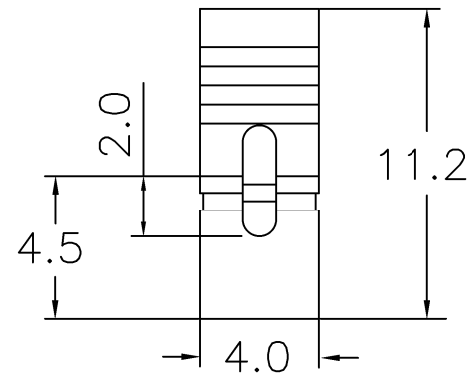
Material:

Housing: PA66, UL94V-2.
 Contacts: Phosphor Bronze, Gold Plated over Nickel 20u".

Electrical Characteristics:

Current Rating: 3 AMP.
 Insulator Resistance: 1000MΩ min.
 Contact Resistance: 20mΩ max.
 Operating Temperature: -40°C~+105°C.

***RoHS Compliant**



2106- WE - B B
 Series WE: WE Type B: Black Insulator B: Bulk Package
 R:Red
 U:Blue

Tolerances ±0.15	Dwg. No.	2106D02002		Title: 2106 Series Mini Jumper 2.0mm With Handle	 OUPIIN ELECTRONIC(KUNSHAN) CO., LTD. P/N: 2106-WE-BB	
	Projection					
	Unit	mm	Scale			1:1
	Drawn By	Jerry 03/05'20				⑦ 740
SHEET		1/1	Ver.No.	A1		