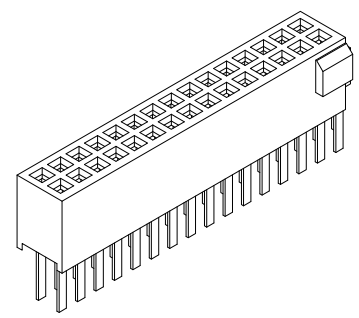
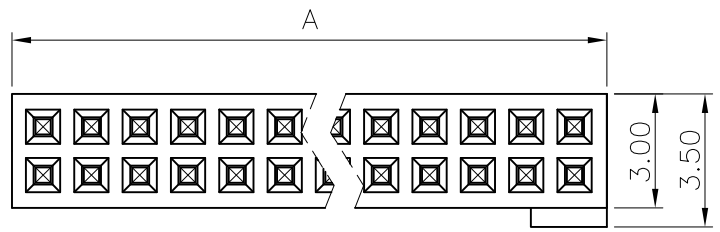
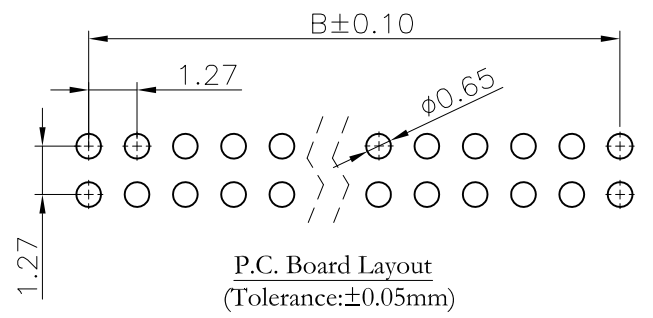
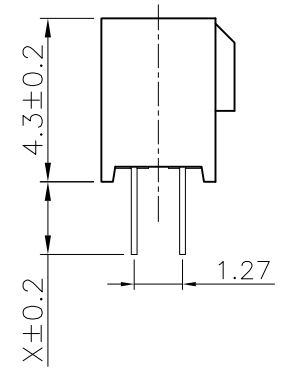
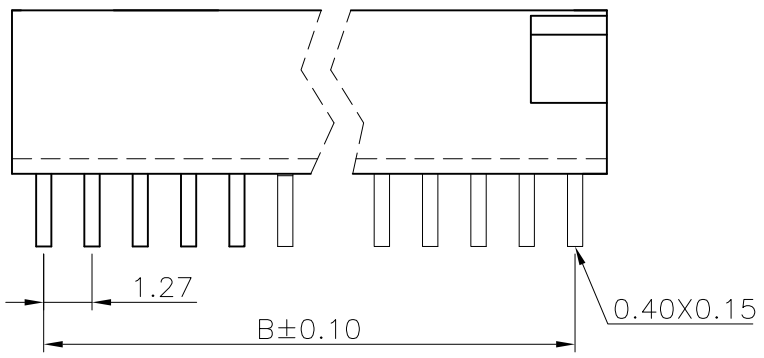


REV.	SPECIFICATION	ECN NO.	APPD.
R2		ECN130556	



Material:
Housing: High Temperature Plastic UL94V-0.
Contacts: Copper Alloy.
Electrical Characteristics:
Current Rating: 1 AMP.
Dielectric Withstanding Voltage: AC 500V For 1 minute.
Insulator Resistance: 1000MΩ min. at DC 500V.
Contact Resistance: 20mΩmax. at DC 100mA.
Operating Temperature: -65°C ~ +125°C.
***RoHS Compliant**
Insertion Depth: 1.90mm to 2.90mm



2243- xx C xx S N x U
 Series: U: Tube Package
 No. of Position: *1: 3.05mm, *2: 1.91mm, *3: 2.30mm
 C: Selective Gold Plated, G: Gold Plated
 N: Without Post, S: Straight
 00: G/F, 10: 10 μ", 15: 15 μ", 30: 30 μ"

X	1	2	3
Length	3.05	1.91	2.30
Position Dimension	10 Thru 100		
A	1.27 X No. of Positions / 2 + 0.38		
B	1.27 X No. of Positions / 2 - 1.27		

Tolerances	Dwg. No.	2243D02013	Title:	
x = ±0.5	Projection		2243 Series	
.x = ±0.25	Unit	mm	Scale	1:1
.xx = ±0.15	Drawn By	Z W06/17'13	P.C.B. Socket	
			1.27mmX1.27mm	

OUPIN
 OUPIN ELECTRONIC(KUNSHAN) CO., LTD.
 P/N: 2243-xxCxxSNxU
 SHEET 1/1 Ver.No. R2