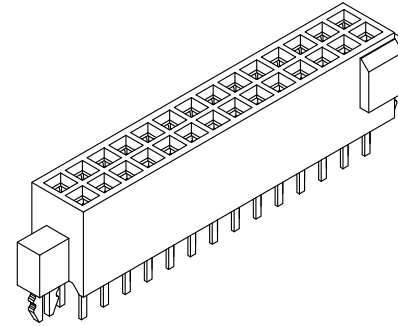
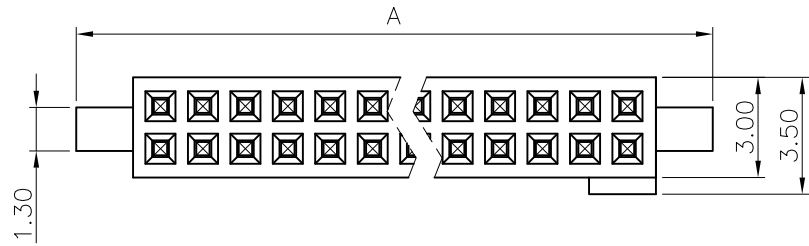


REV.	SPECIFICATION	ECN NO.	APPD.
R3		ECN140620	



Material:

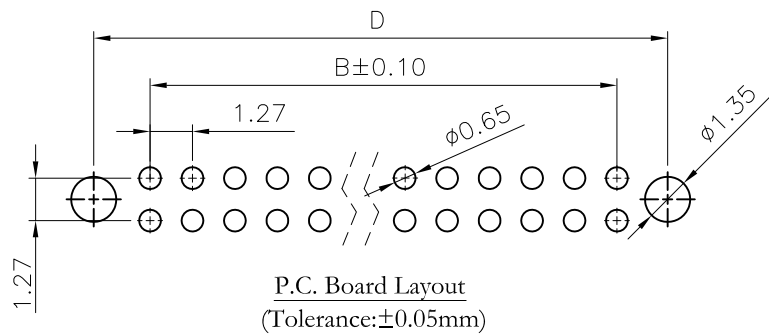
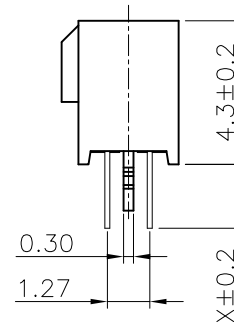
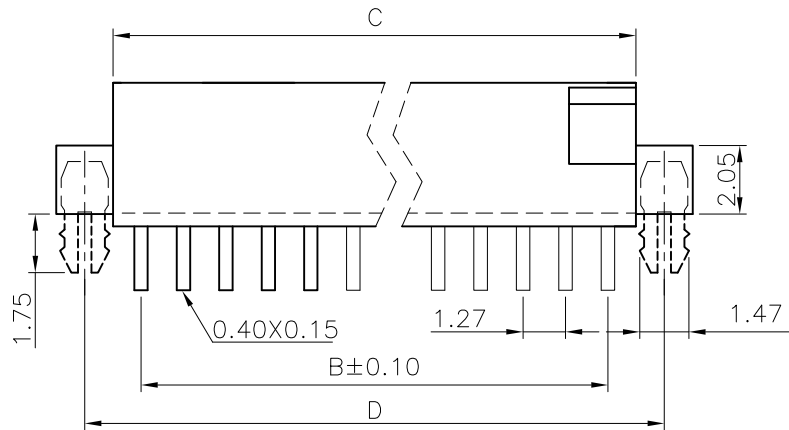
Housing: High Temperature Plastic UL94V-0.
Contacts: Copper Alloy.
Lock: Copper Alloy.

Electrical Characteristics:

Current Rating: 1 AMP.
Dielectric Withstanding Voltage: AC 500V For 1 minute.
Insulator Resistance: 1000MΩ min. at DC 500V.
Contact Resistance: 20mΩmax. at DC 100mA.
Operating Temperature: -65°C ~ +125°C.

***RoHS Compliant**

Insertion Depth: 1.90mm to 2.90mm



2243-xx C xx S L x U

- Series
- No. of Position
- C: Selective
- Gold Plated
- G: Gold Plated
- 00: G/F
- 10: 10 μ"
- 15: 15 μ"
- 30: 30 μ"
- S: Straight
- L: With Board Lock
- O: Without Board Lock
- x: *1: 3.05mm
*2: 1.91mm
*3: 2.30mm
- U: Tube Package

X	1	2	3
Length	3.05	1.91	2.30
Position	10 Thru 100		
Dimension	10 Thru 100		
A	1.27 X No. of Positions/2+3.78		
B	1.27 X No. of Positions/2-1.27		
C	1.27 X No. of Positions/2+0.38		
D	1.27 X No. of Positions/2+1.91		

Tolerances	Dwg. No.	2243D02007	
x = ±0.5	Projection	⊕ ↯	
.x = ±0.25	Unit	mm	Scale 1:1
.xx = ±0.15	Drawn By	WP 06/09'14	

Title: 2243 Series
P.C.B. Socket
1.27mmX1.27mm

OUPIN			
OUPIN ELECTRONIC(KUNSHAN) CO., LTD.			
P/N: 2243-xxCxxSL(O)xU			
SHEET	1/1	Ver. No.	R3