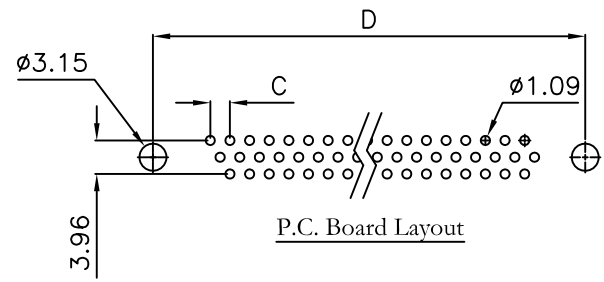
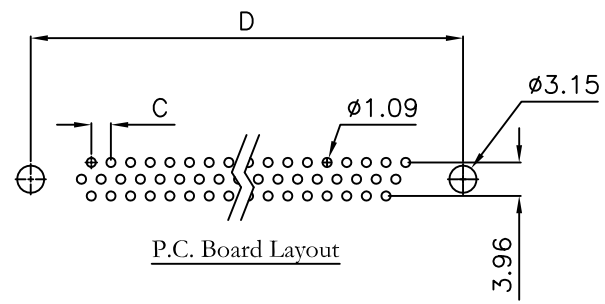
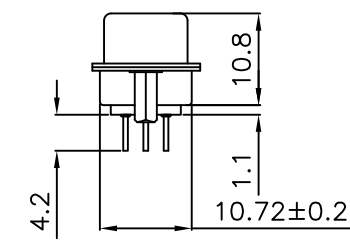
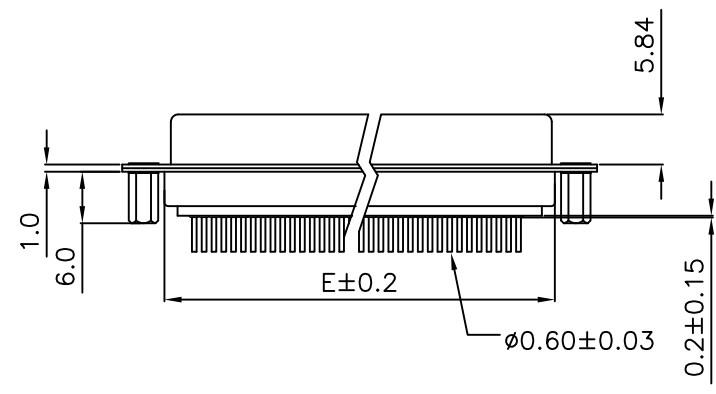
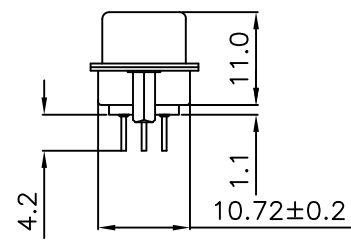
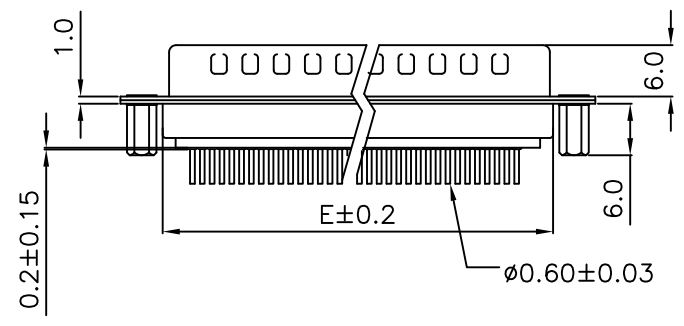
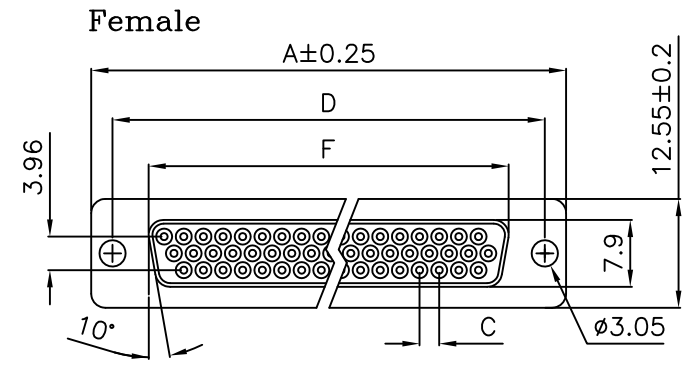
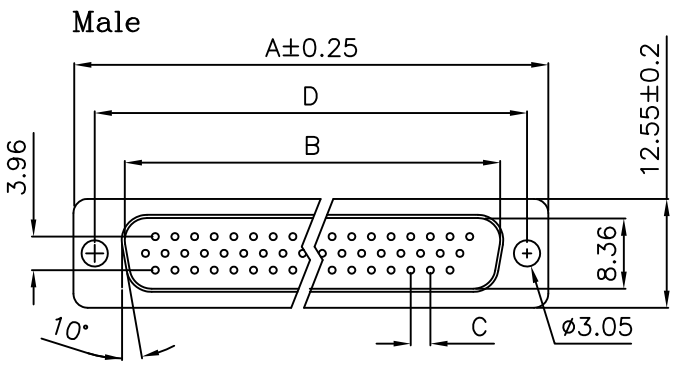


REV.	SPECIFICATION	ECN NO.	APPD.

Material:
Housing: PBT, UL94V-0.
Contacts: Brass, Gold Plated over Nickel 30 u" Min.
Shell: Steel.

Electrical Characteristics:
Current Rating: 1 AMP.
Dielectric Withstanding Voltage: AC 1000V For 1 minute.
Insulation Resistance: 1000MΩ min. at DC 500V.
Contact Resistance: 20mΩ max. at DC 100mA.
Operating Temperature: -55°C~+105°C.
***RoHS Compliant**



7915- xx M T B G 00 N2 A -6MM

Series ————
Position ————
M: Male
F: Female
B: Black
U: Blue
W: White

Height of Jack Screw
A: Tray Package
N2: With NUTS #4-40
Threaded Riveted
On Rear Side

00:G/F
G:Gold Plated

Position	Dimension					
	A	B	C	D	E	F
15	30.8	16.9	2.29	24.99	19.3	16.3
26	39.1	25.3	2.29	33.32	27.5	24.7
44	53.0	39.0	2.29	47.04	41.3	38.4
62	69.3	55.4	2.41	63.50	57.7	54.8

Tolerances	Dwg. No.	7915D03005	Title:	
x = ±0.5	Projection		7915 Series	
.x = ±0.25	Unit	mm	H.D. D-SUB	
.xx = ±0.15	Scale	1:1	Straight Type	
	Drawn By	Lucas 12/11'17	① 767	

OUPIN
OUPIN ELECTRONIC(KUNSHAN) CO., LTD.
P/N: 7915-xxMTBGOON2A-6MM
7915-xxFTBGOON2A-6MM

SHEET	1/1	Ver.No.	A7
-------	-----	---------	----