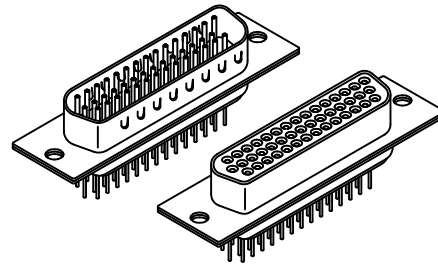


REV.	SPECIFICATION	ECN NO.	APPD.



Material:

Housing: PBT, UL94V-0.

Contacts: Brass, Gold Plated over Nickel 30 u" Min.

Shell: Steel.

Electrical Characteristics:

Current Rating: 1 AMP.

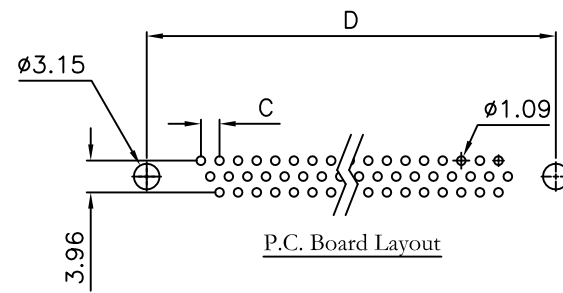
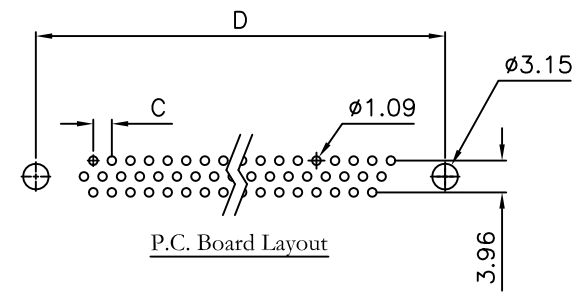
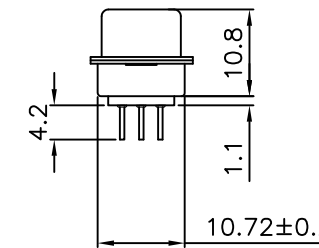
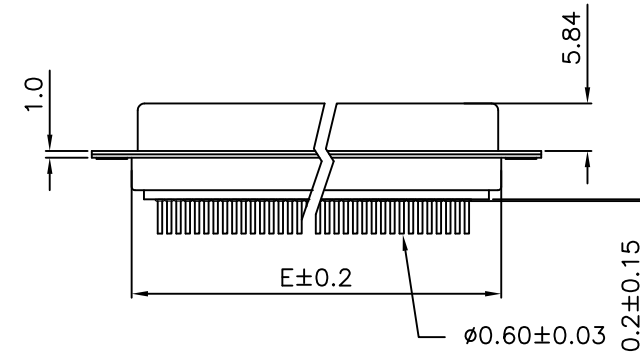
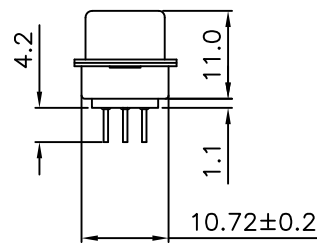
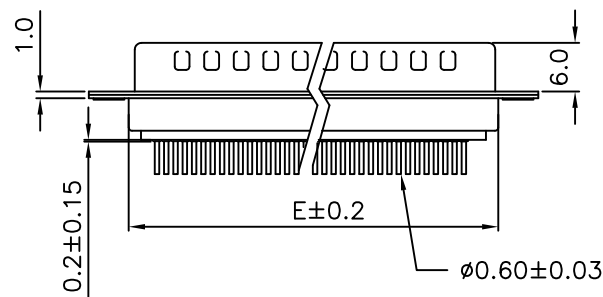
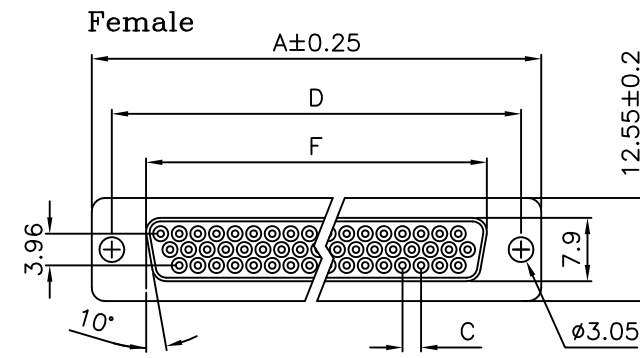
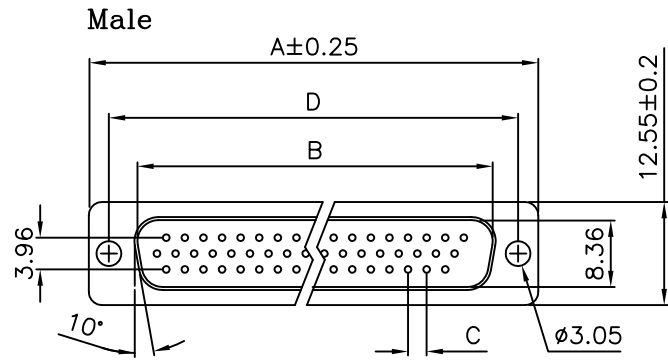
Dielectric Withstanding Voltage: AC 1000V For 1 minute.

Insulation Resistance: 1000MΩ min. at DC 500V.

Contact Resistance: 20mΩ max. at DC 100mA.

Operating Temperature: -55°C~+105°C.

***RoHS Compliant**



7915- xx M T B G 00 A
 Series ——— xx ——— M ——— T ——— B ——— G ——— 00 ——— A ———
 Position ———
 M: Male
 F: Female
 B: Black
 U: Blue
 W: White
 A: Tray Package
 00: G/F
 G: Gold Plated

Position	Dimension					
	A	B	C	D	E	F
15	30.8	16.9	2.29	24.99	19.3	16.3
26	39.1	25.3	2.29	33.32	27.5	24.7
44	53.0	39.0	2.29	47.04	41.3	38.4
62	69.3	55.4	2.41	63.50	57.7	54.8

Tolerances	Dwg. No.	7915D03001	Title:
x = ±0.5	Projection		7915 Series H.D. D-SUB Straight Type
.x = ±0.25	Unit	mm	
.xx = ±0.15	Scale	1:1	
	Drawn By	Lucas 12/11'17	767

OUPIN			
OUPIN ELECTRONIC(KUNSHAN) CO., LTD.			
P/N: 7915-xxMTBG00A&7915-xxFTBG00A			
SHEET	1/1	Ver.No.	B5