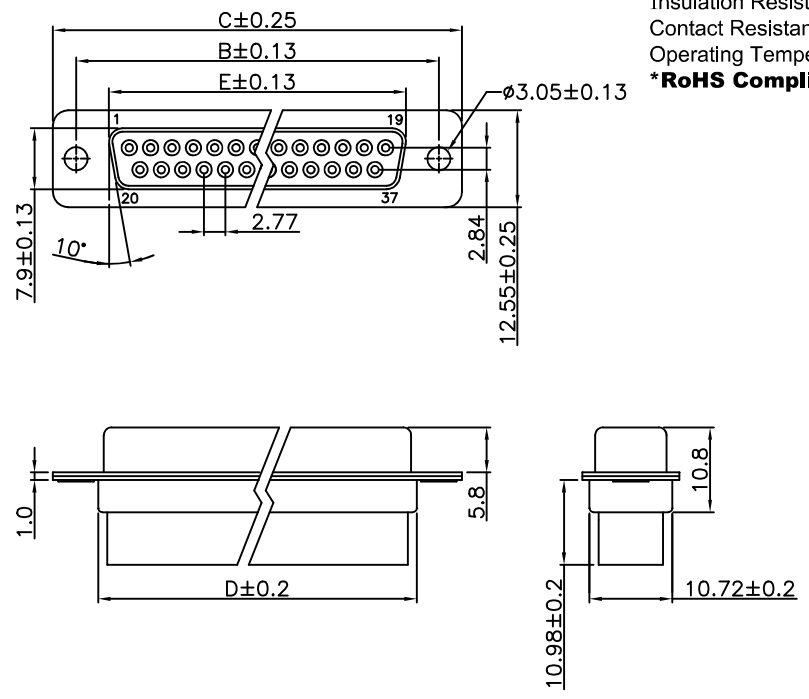
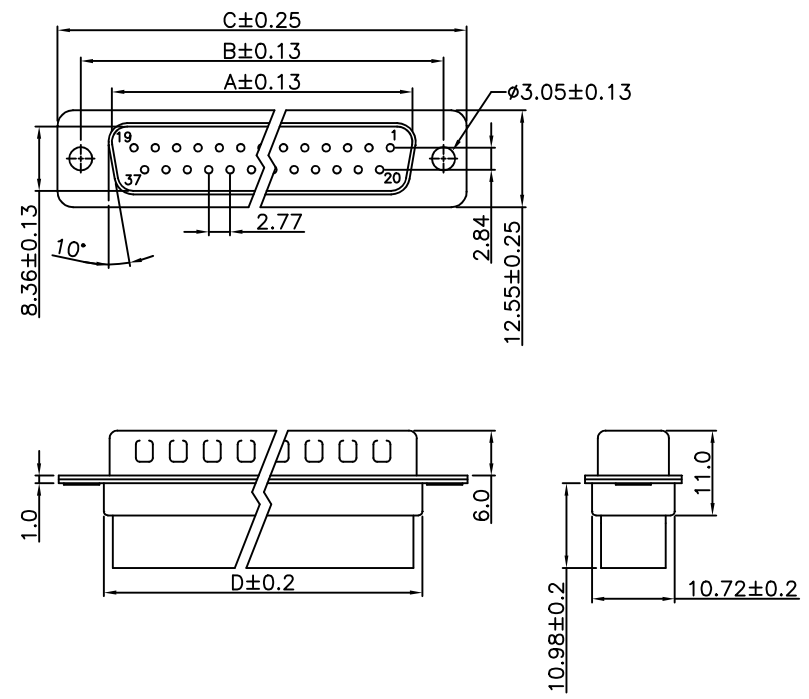


REV.	SPECIFICATION	ECN NO.	APPD.
A5			

Material:
Housing: PBT, UL94V-0.
Shell: Steel.
Recommend Wire: 24AWG to 28AWG.
Electrical Characteristics:
Current Rating: 1 AMP.
Dielectric Withstanding Voltage: AC 1000V for 1 minute.
Insulation Resistance: 1000MΩ min. at DC 500V.
Contact Resistance: 20mΩ max. at DC 100mA.
Operating Temperature: -55°C~+105°C.
***RoHS Compliant**

Male

Female



7908- xx M T A
Series ——— Position ———
A: Tray Package
M: Male
F: Female

Position	Dimension				
	A	B	C	D	E
09	16.92	24.99	30.81	19.28	16.33
15	25.25	33.32	39.14	27.51	24.66
25	38.96	47.04	53.04	41.30	38.38
37	55.42	63.50	69.32	57.40	54.84

Tolerances	Dwg. No.	7908D03001		Title:	
x = ±0.50	Projection	⊕ ⊖		7908 Series D-SUB Crimp Type	
.x = ±0.25	Unit	mm	Scale		1:1
.xx = ±0.15	Drawn By	Martin 03/04'22			

⊙ 767

OUPIIN
OUPIIN ELECTRONIC(KUNSHAN) CO., LTD.
P/N: 7908-xxMTA & 7908-xxFTA

SHEET	1/1	Ver.No.	A8
--------------	-----	----------------	----