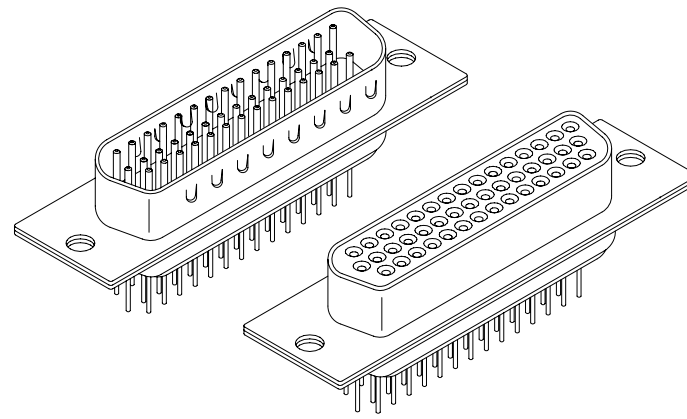


REV.	SPECIFICATION	ECN NO.	APPD.



**Material:**

**Housing:** Thermoplastic Polyester Glass Filled UL94V-0.

**Contacts:** Copper Alloy.

**Shell:** Metal.

**Electrical Characteristics:**

**Current Rating:** 1 AMP.

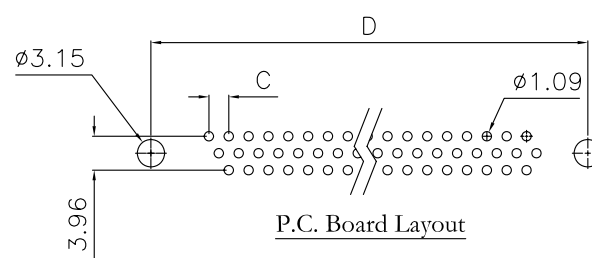
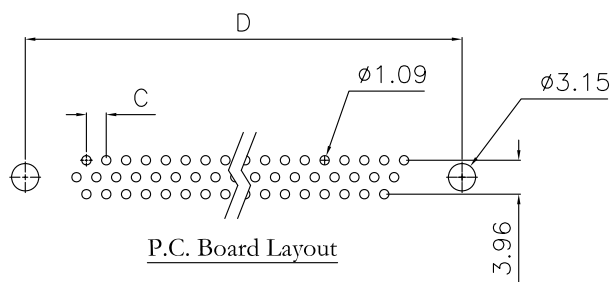
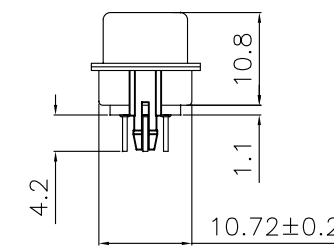
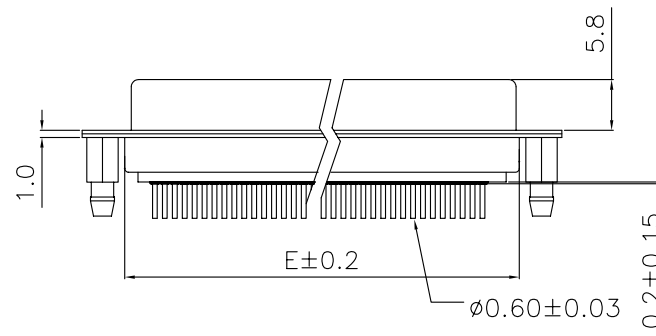
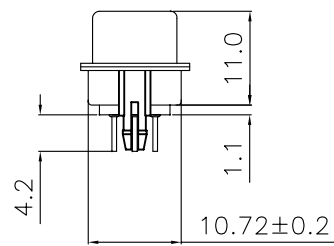
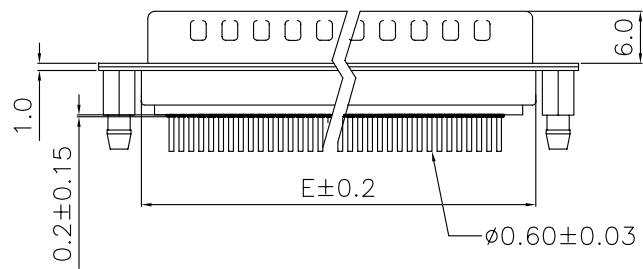
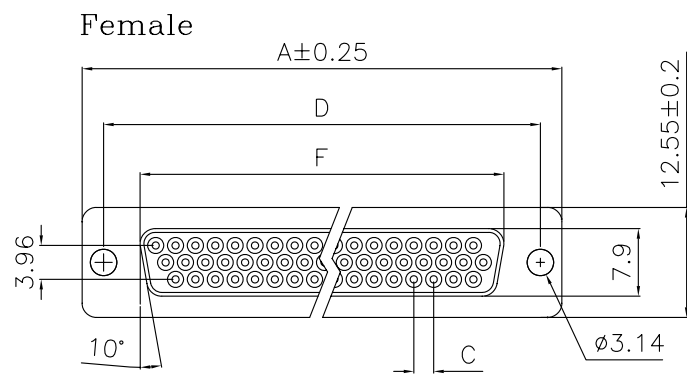
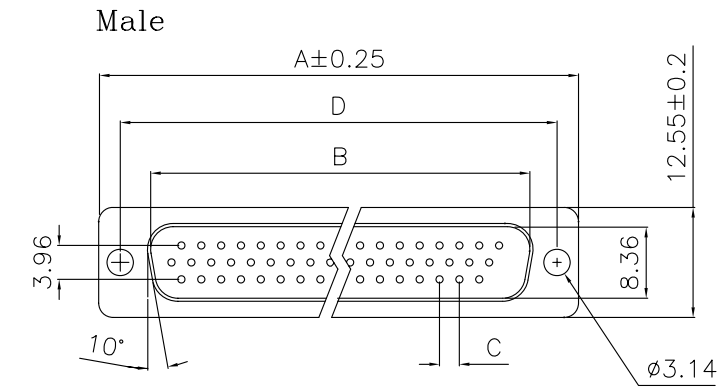
**Dielectric Withstanding Voltage:** AC 1000V For 1 minute.

**Insulator Resistance:** 1000MΩ min. at DC 500V.

**Contact Resistance:** 20mΩ max. at DC 100mA.

**Operating Temperature:** -55°C~+105°C.

**\*RoHS Compliant**



**7915-xx M T B G 00 N3 A**  
 Series Position M: Male T: Tin B: Black G: Gold 00: G/F N3: With #4-40 A: Tray  
 F: Female Shell U: Blue Plated Threaded Riveted Brackets Package  
 W: White

Position	Dimension					
	A	B	C	D	E	F
15	30.8	16.9	2.29	24.99	19.3	16.3
26	39.1	25.3	2.29	33.32	27.5	24.7
44	53.0	39.0	2.29	47.04	41.3	38.4
62	69.3	55.4	2.41	63.50	57.7	54.8

Tolerances	Dwg. No.	7915D03006	Title:
x = ±0.5	Projection		7915 Series
.x = ±0.25	Unit	mm	H.D. D-SUB Straight Type
.xx = ±0.15	Drawn By	Peggy 08/02'13	①767

<b>OUPIN ELECTRONIC(KUNSHAN) CO., LTD.</b>			
P/N: 7915-xxMTBG00N3A 7915-xxFTBG00N3A			
SHEET	1/1	Ver.No.	A8