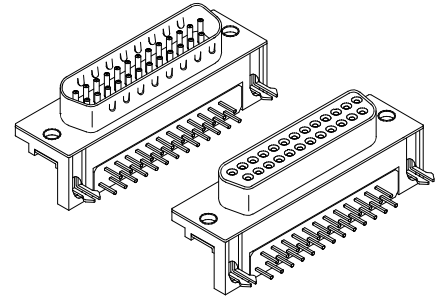


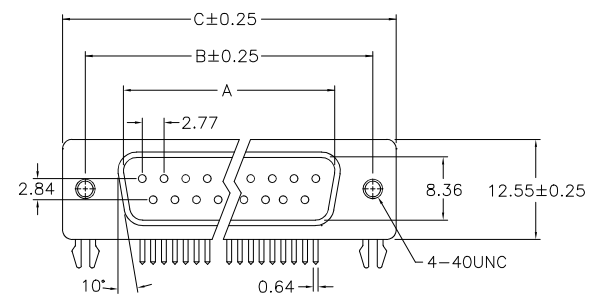
REV.	SPECIFICATION	ECN NO.	APPD.



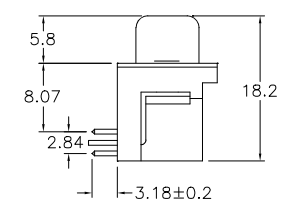
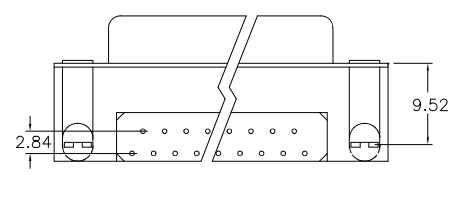
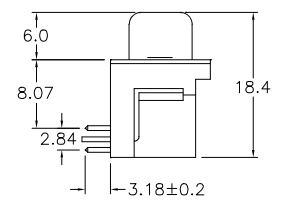
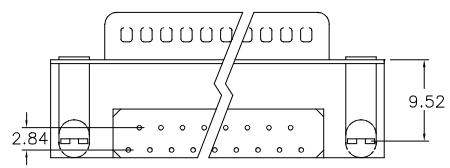
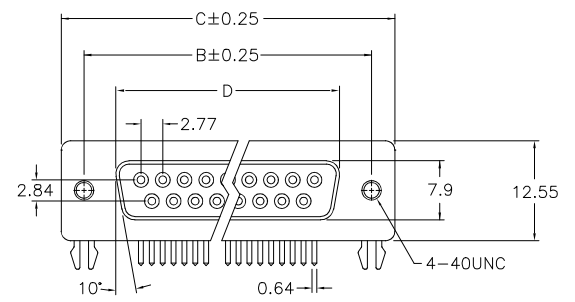
Material:
Housing: PBT, UL94V-0, Black.
Male Contacts: Brass, Gold Plated on Contact Area and Gold Flash on Solder Tail over Nickel 30u".
Female Contacts: Brass, Gold Plated over Nickel 30u".
Shell: Steel, Nickel Plated.

Electrical Characteristics:
Current Rating: 1 AMP.
Dielectric Withstanding Voltage: AC 1000V.
Insulation Resistance: 1000MΩ min.
Contact Resistance: 30mΩ max.
Operating Temperature: -20°C~+70°C.
***RoHS Compliant**

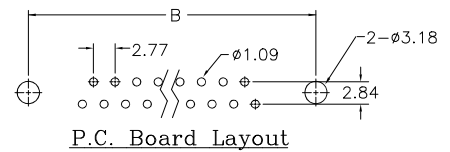
Male



Female



7926- xx x B A
Series ———
Position ———
M: Male
F: Female
A: Tray Package
B: With Grounding Forks and With Riveted Threaded Inserts



Position	Dimension			
	A	B	C	D
9	16.92	24.99	30.81	16.33
15	25.25	33.32	39.14	24.66
25	38.96	47.04	53.04	38.38
37	55.42	63.50	69.32	54.84

Tolerances	Dwg. No.	7926D03001	Title:	7926 Series D-SUB Right Angle Filter Type	 OUPIN ELECTRONIC(KUNSHAN) CO., LTD. P/N: 7926-xxMBA&7926-xxFBA
x = ±0.5	Projection		Drawn By Martin 12/07'22 0512		
.x = ±0.25	Unit mm	Scale 1:1			
.xx = ±0.15			SHEET 1/1	Ver.No. A6	