

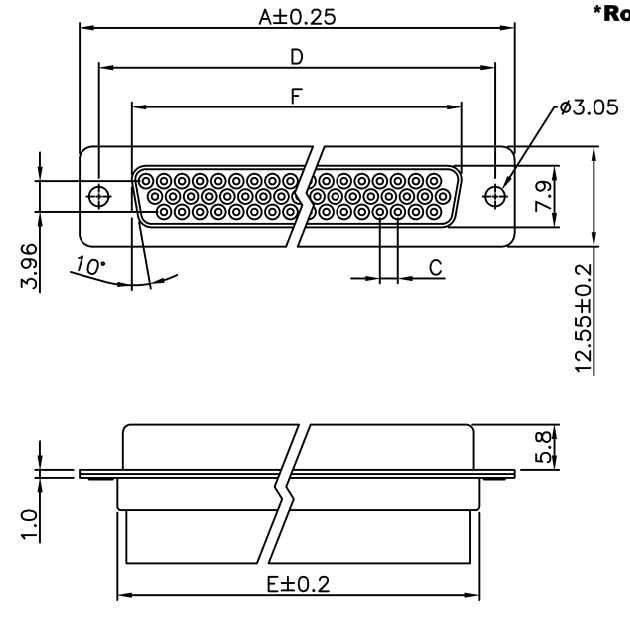
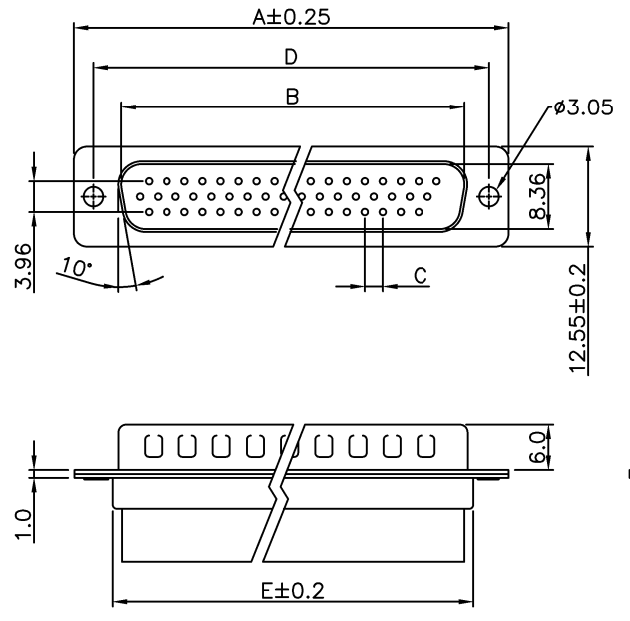
REV.	SPECIFICATION	ECN NO.	APPD.

Material:
Housing: PBT, UL94V-0.
Shell: Steel.

Electrical Characteristics:
Current Rating: 1 AMP.
Dielectric Withstanding Voltage: AC 1000V.
Insulation Resistance: 1000MΩ min.
Contact Resistance: 20mΩ max.
Operating Temperature: -55°C~+105°C.
***RoHS Compliant**

Male

Female



7918- xx M T B A
Series ———
Position ———
M: Male
F: Female
A: Tray Package
B: Black

Position	Dimension					
	A	B	C	D	E	F
15	30.81	16.92	2.29	24.99	19.3	16.33
26	39.14	25.25	2.29	33.32	27.5	24.66
44	53.04	38.96	2.29	47.04	41.3	38.38
62	69.32	55.42	2.41	63.50	57.7	54.84

Tolerances	Dwg. No.	7918D03001	Title:		OUPIIN OUPIIN ELECTRONIC(KUNSHAN) CO., LTD. P/N: 7918-xxMTBA&7918-xxFTBA SHEET 1/1 Ver.No. A6
x = ±0.5	Projection		7918 Series		
.x = ±0.25	Unit	mm	Scale	1:1	
.xx = ±0.15	Drawn By	Martin 07/20'22	Scale	1:1	
			767		