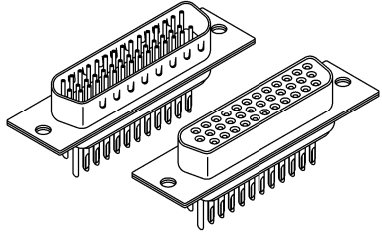
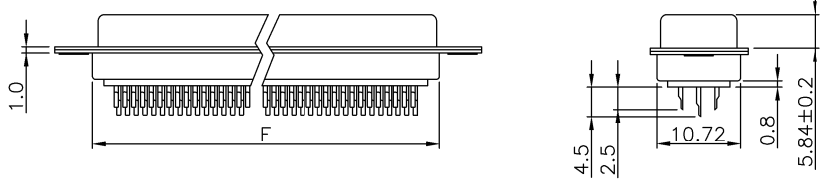
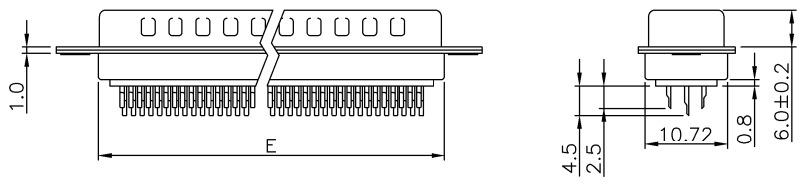
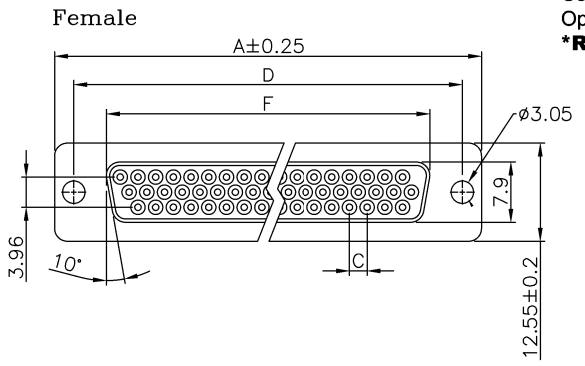
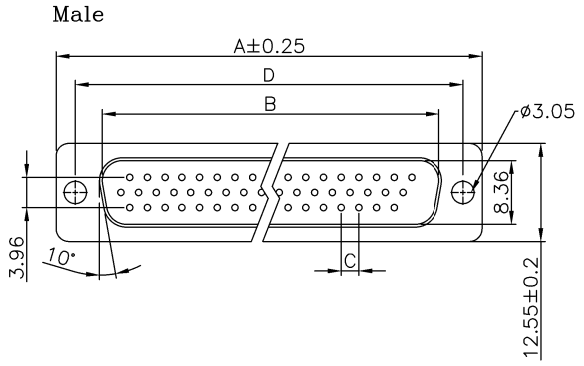


REV.	SPECIFICATION	ECN NO.	APPD.



Material:
Housing: PBT, UL94V-0.
Contacts: Brass, Gold Plated on Contact Area and 80~100u" Min Tin Plated on solder tail over Nickel 30u" or Gold Plated over Nickel 30 u".
Shell: Steel.

Electrical Characteristics:
Current Rating: 1 AMP.
Dielectric Withstanding Voltage: AC 1000V.
Insulation Resistance: 1000MΩ min.
Contact Resistance: 20mΩ max.
Operating Temperature: -55°C~+105°C.
***RoHS Compliant**



7917-xx M T B C 00 A

Series ————
Position ————
M: Male
F: Female
B: Black
U: Blue
W: White

————— A: Tray Package
————— 00: Gold Flash
————— C: Selective Gold Plated
————— G: Gold Plated

Position	Dimension					
	A	B	C	D	E	F
15	30.81	16.92	2.29	24.99	19.3	16.33
26	39.14	25.25	2.29	33.32	27.5	24.66
44	53.04	38.96	2.29	47.04	41.3	38.38
62	69.32	55.42	2.41	63.50	57.7	54.84

Tolerances	Dwg. No.	7917D03001	Title:		 DUPIN ELECTRONIC(KUNSHAN) CO., LTD. P/N: 7917-xxMTBC00A&7917-xxFTBC00A SHEET 1/1 Ver.No. A8
x = ±0.5	Projection		7917 Series		
.x = ±0.25	Unit mm	Scale	H.D. D-SUB		
.xx = ±0.15	Drawn By	Martin 11/08'22	Solder Cup Type		
			①767		