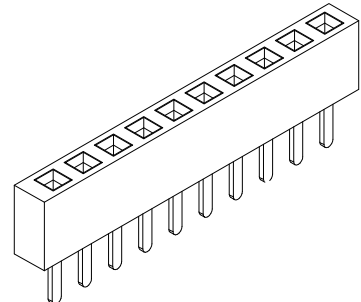
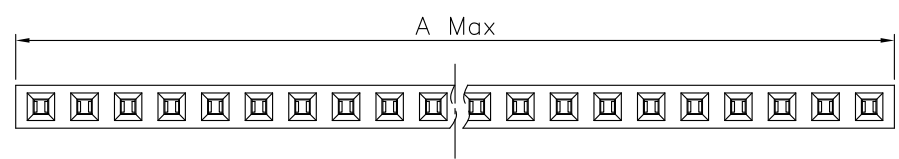


REV.	SPECIFICATION	ECN NO.	APPD.
R2		ECN120405	



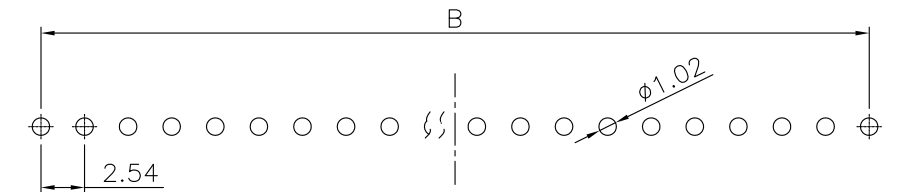
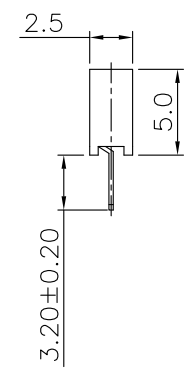
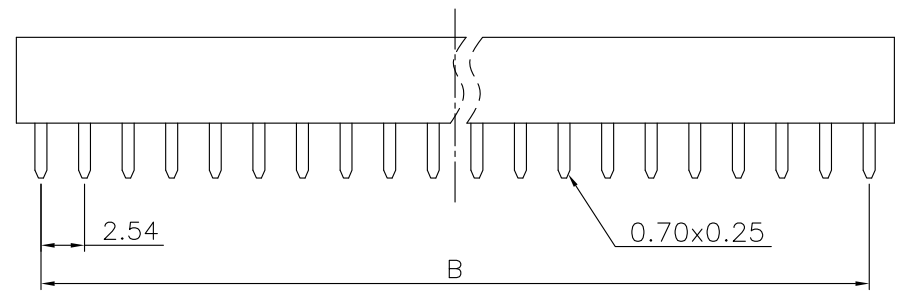
**Material:**

Housing: Thermoplastic Polyester Glass Filled UL94V-0.  
 Contacts: Copper Alloy.

**Electrical Characteristics:**

Current Rating: 2 AMP.  
 Dielectric Withstanding Voltage: AC 1000V For 1 Minute.  
 Insulator Resistance: 1000MΩ min. at DC 500V.  
 Contact Resistance: 20mΩ max. at DC 100mA.  
 Operating Temperature: -55°C~+105°C .  
**\*RoHS Compliant**

Insertion Depth: 2.55mm to 4.50mm.



P.C. Board Layout  
 (Tolerance: ±0.05mm)

2041- 1 X xx G xx S A  
 Series  
 Single Row  
 No. of Pin Per Row  
 G: Gold Plated  
 T: Tin Plated  
 A: Tray Package  
 B: Bulk Package  
 S: Straight  
 00: G/F  
 10: 10μ"  
 15: 15μ"  
 30: 30μ"

Position	2 Thru 40
Dimension	
A	2.54 X No. of Position
B	2.54 X No. of Position -2.54

Tolerances	Dwg. No.	2041-D0000-001	Title:
x = ±0.5	Projection		2041 Series P.C.B. Socket 2.54mm (0.100")
.x = ±0.25	Unit	mm	
.xx = ±0.15	Scale	1:1	
	Drawn By	ZJJ 04/05'12	

**OUPIN**  
 OUPIN ELECTRONIC(KUNSHAN) CO., LTD.  
 P/N: 2041-1XxxGxxSA  
 SHEET 1/1 Ver.No. R2