

REV.	SPECIFICATION	ECN NO.	APPD.
R7		ECN130737	

Material:

Housing: Thermoplastic Polyester Glass Filled UL94V-0.

Contacts: Copper Alloy.

Electrical Characteristics:

Current Rating: 2 AMP.

Dielectric Withstanding Voltage: AC 1000V For 1 minute.

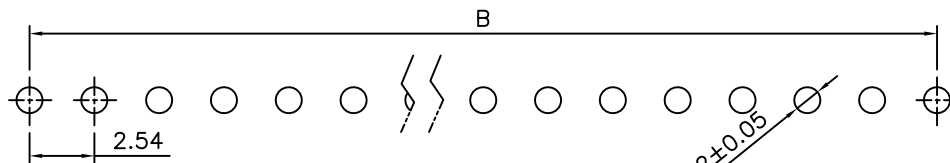
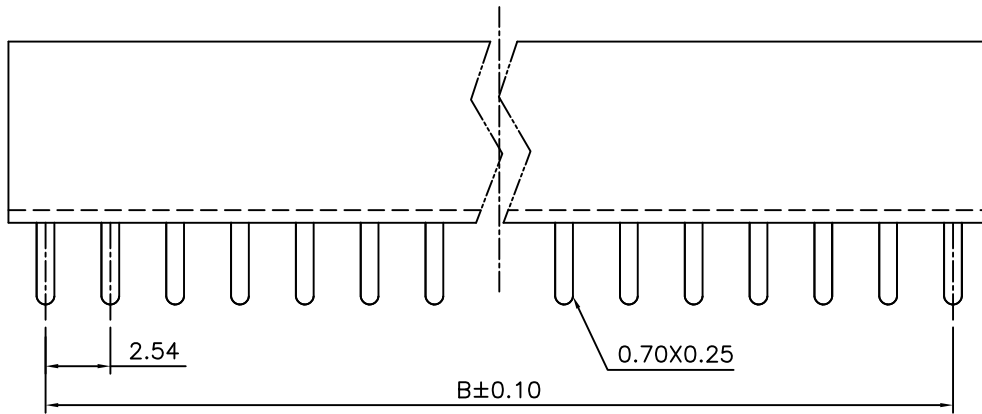
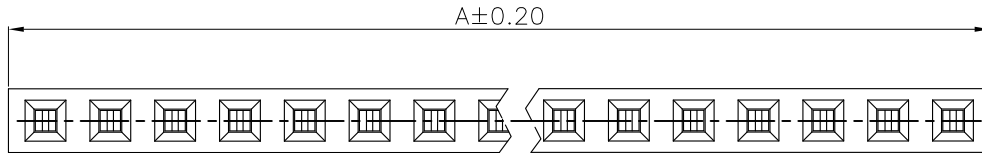
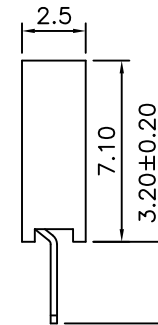
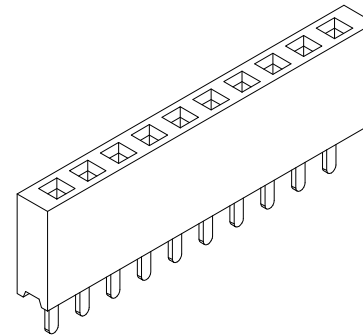
Insulator Resistance: 1000MΩ min. at DC 500V.

Contact Resistance: 20mΩ max. at DC 100mA.

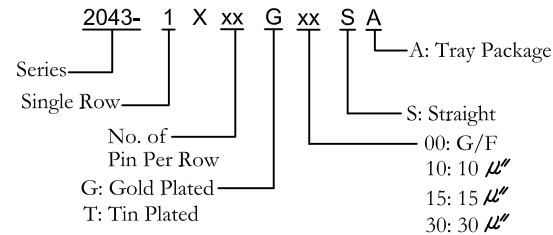
Operating Temperature: -55°C~+105°C .

***RoHS Compliant**

Insertion Depth: 2.55mm to 6.40mm.



P.C. Board Layout
(Tolerance: ±0.05mm)



Position Dimension	2 Thru 40
A	2.54 x No.of Position
B	2.54 x No of Position -2.54

Tolerances	Dwg. No.	2043-D0000-001		Title: 2043 Series P.C.B. Socket 2.54mm (0.100")	 OUPIIN ELECTRONIC(KUNSHAN) CO., LTD. P/N: 2043-1XxxGxxSA		
	x = ±0.5	Projection					
	.x = ±0.25	Unit	mm			Scale	1:1
	.xx = ±0.15	Drawn By	YTY 07/31'13				
SHEET		1/1	Ver.No.	R7			