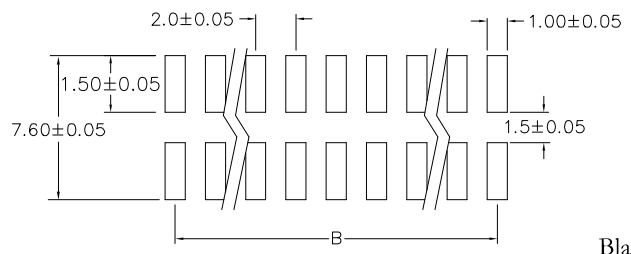
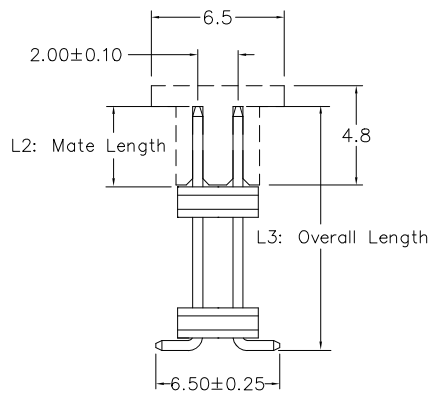
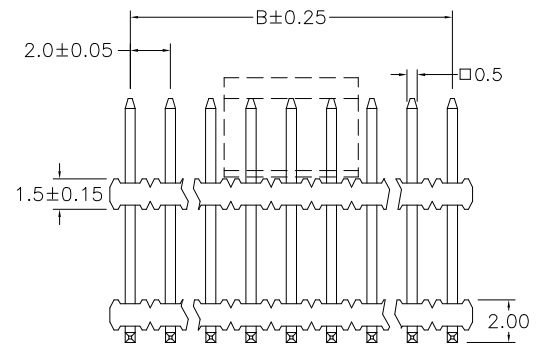
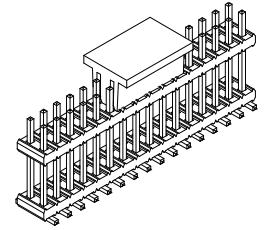
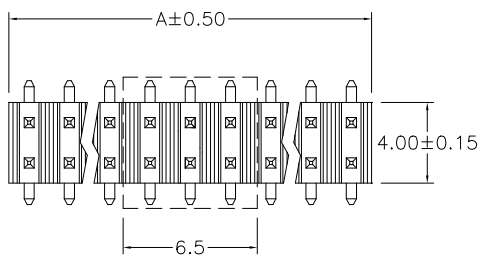


REV.	SPECIFICATION	ECN NO.	APPD.

Material:
Housing: PA6T, UL94V-0, Black.
Contacts: Brass, Gold Plated or 80~120u" Matte Tin Plated over Nickel 30~50u".

Electrical Characteristics:
Current Rating: 2 AMP.
Dielectric Withstanding Voltage: AC 500V.
Insulation Resistance: 1000MΩ min.
Contact Resistance: 20mΩ max.
Operating Temperature: -40°C~+105°C.
*RoHS Compliant



P.C. Board Layout

2113- 2 X xx G 00 D -L2 -L3 T -P

Series — 2113-
Double Row — 2
Positions — X
G:Gold Plated
T:Matte Tin Plated
00:Gold Flash
Blank: For Matte Tin Plated

P:Plastic Pad
Blank: W/O Pad
B:Bulk Package
T:Tape & Reel Package
U:Tube Package

L3: Overall Length
L2: Mate Length
D:SMD Type

Dimension					
Positions	A	B	Positions	A	B
2X02	4.00	2.00	2X22	44.00	42.00
2X03	6.00	4.00	2X23	46.00	44.00
2X04	8.00	6.00	2X24	48.00	46.00
2X05	10.00	8.00	2X25	50.00	48.00
2X06	12.00	10.00	2X26	52.00	50.00
2X07	14.00	12.00	2X27	54.00	52.00
2X08	16.00	14.00	2X28	56.00	54.00
2X09	18.00	16.00	2X29	58.00	56.00
2X10	20.00	18.00	2X30	60.00	58.00
2X11	22.00	20.00	2X31	62.00	60.00
2X12	24.00	22.00	2X32	64.00	62.00
2X13	26.00	24.00	2X33	66.00	64.00
2X14	28.00	26.00	2X34	68.00	66.00
2X15	30.00	28.00	2X35	70.00	68.00
2X16	32.00	30.00	2X36	72.00	70.00
2X17	34.00	32.00	2X37	74.00	72.00
2X18	36.00	34.00	2X38	76.00	74.00
2X19	38.00	36.00	2X39	78.00	76.00
2X20	40.00	38.00	2X40	80.00	78.00
2X21	42.00	40.00			

ie: 2113-2XxxG00D-4-14.3T-P
4.0mm Mate Length (increment of 0.1mm)
14.3mm Overall Length (increment of 0.1mm)

Tolerances	Dwg No.	2113D01018		Title:	2113 Series	
.x = ±0.38 .xx = ±0.25	Projection	⊕ ⊖		Pin Header 2.0mmX2.0mm		
	Unit	mm	Scale	1:N		
	Drawn By	Martin 10/11'23		Double Row Double Insulator S.M.D Type		

⌀325

OUPIIN
OUPIIN ELECTRONIC(KUNSHAN) CO., LTD.
P/N: 2113-2XxxG00D-L2-L3T-P

SHEET	1/1	Ver.No.	A3
-------	-----	---------	----