

REV.	SPECIFICATION	ECN NO.	APPD.
R8		ECN201004	

Material and Plating:

Housing: PBT, UL94V-0, BLACK

Cover: PBT, UL94V-0, BLACK

Contacts: Brass.

Gold Plated on Contact Area and Gold Flash on Press Fit over Nickel 50u" Min.

Or Tin 80u" Min Plated over Nickel 50u" Min.

Electrical Characteristics:

Current Rating: 2 AMP.

Dielectric Withstanding Voltage: AC 1000V For 1 minute.

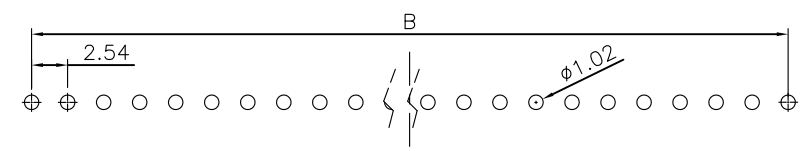
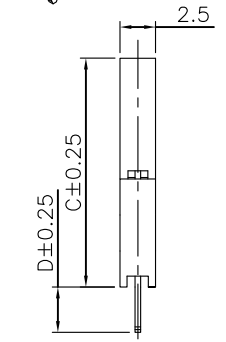
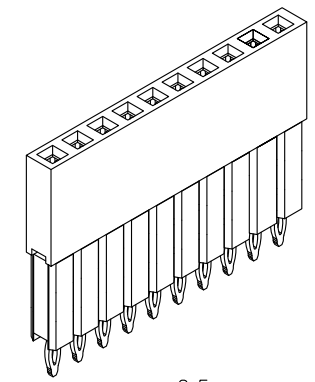
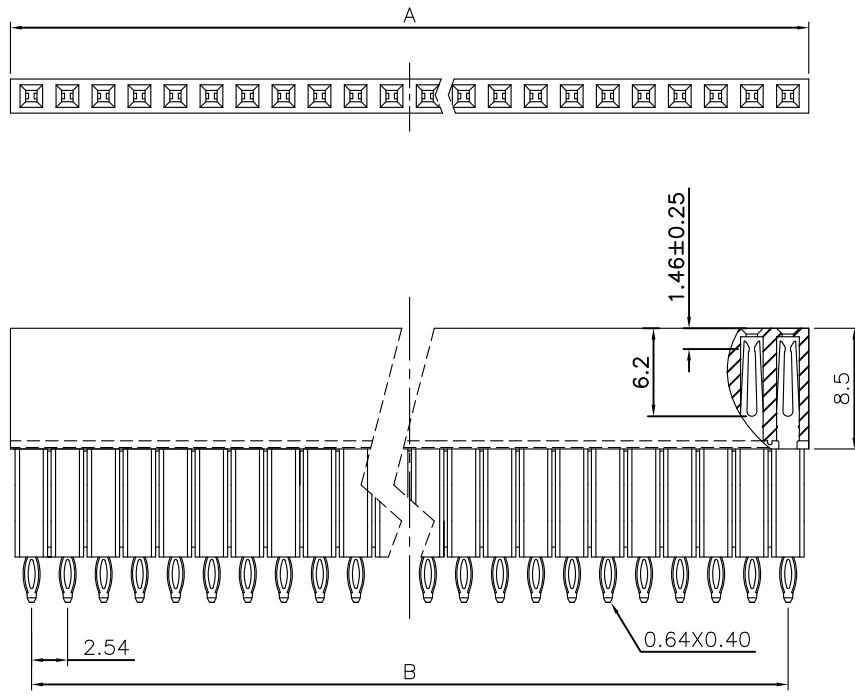
Insulator Resistance: 1000MΩmin. at DC 500V.

Contact Resistance: 20mΩmax. at DC 100mA.

Operating Temperature: -55°C ~ +105°C.

***RoHS Compliant**

Insertion Depth: 2.55mm to 5.70mm.



P.C. Board Layout
(Tolerance: ±0.05)

2047- 1 X xx G xx S P x U
 Series Single Row No. of Pin Per Row
 G: Gold Plated T: Tin Plated
 U: Tube Package
 Choices of Code 1~5
 P: Press Fit Type
 S: Straight
 00: G/F
 10: 10u"
 15: 15u"
 30: 30u"

Position Dimension	4 Thru 80				
A	2.54 X No. of Positions + 0.4				
B	2.54 X No. of Positions - 2.54				
C (Code)	1	2	3	4	5
	11.05	13.59	16.13	18.67	11.05
D	3.20	3.20	3.20	3.20	12.20

Tolerances	Dwg. No.	2047-D0000-001		Title:	
x = ±0.5	Projection	⊕ ◁		2047 Series Elevated P.C.B. Socket 2.54mm (0.100")	
.x = ±0.25	Unit	mm	Scale		1:1
.xx = ±0.15	Drawn By	WQ 10/8'20			

OUPIN
OUPIN ELECTRONIC(KUNSHAN) CO., LTD.
 P/N: 2047-1XxxGxxSPxU
 SHEET 1/1 Ver.No. R8