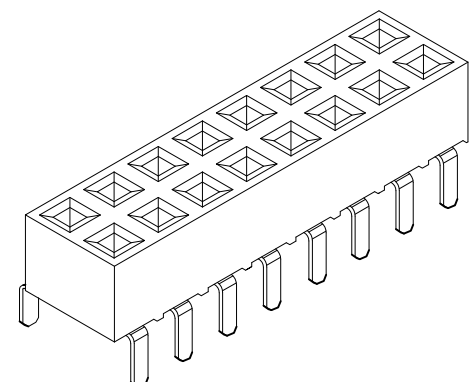
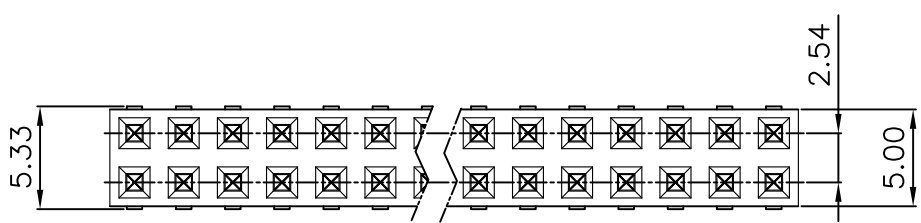


REV.	SPECIFICATION	ECN NO.	APPD.
R3			



Material:

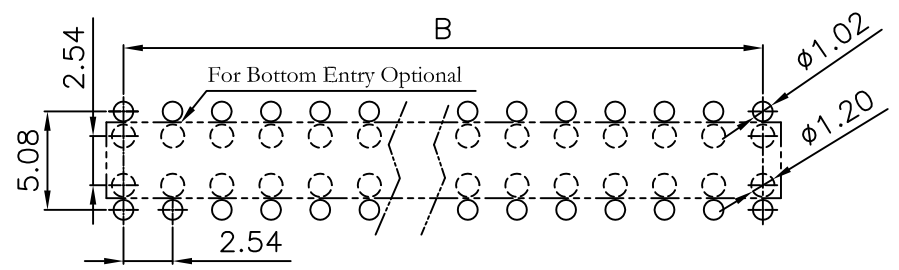
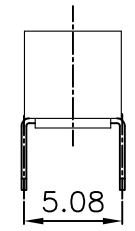
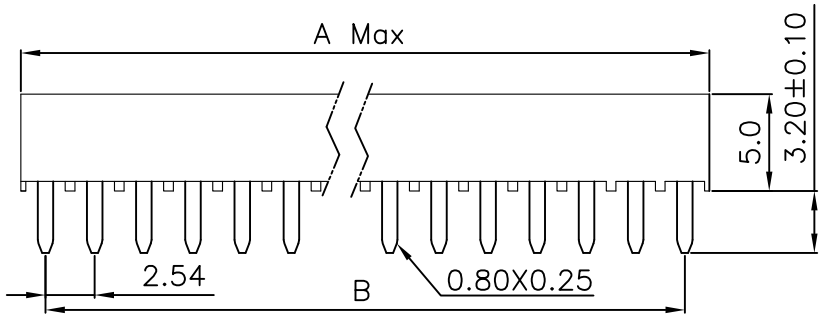
Housing: Thermoplastiv Polyester Glass Filled UL94V-0.
Contacts: Copper Alloy.

Electrical Characteristics:

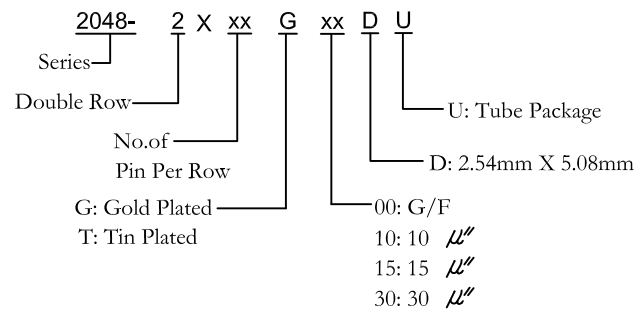
Current Rating: 2 AMP.
Dielectric Withstanding Voltage: AC 1000V For 1 minute.
Insulator Resistance: 1000MΩ min. at DC 500V.
Contact Resistance: 20mΩ max. at DC 100mA.
Operating Temperature: -55°C~+105°C .

***RoHS Compliant**

Insertion Depth: 2.55mm to 4.50mm.
Bottom Entry Insertion Depth: 4.55mm min.
(Excluding PCB Thickness).



P.C. Board Layout
(Tolerance: ±0.05mm)



Position	4 Thru 80
Dimension	
A	2.54 X No. of Positions/2
B	2.54 X No. of Positions/2 -2.54

Tolerances	Dwg. No.	2048-D0000-004	Title:	2048 Series P.C.B. Socket	 OUPIIN ELECTRONIC(KUNSHAN) CO., LTD. P/N: 2048-2XxxGxxDU SHEET 1/1 Ver. No. R3
x = ±0.5	Projection		2.54mmX2.54mm(0.100"X0.100")		
.x = ±0.25	Unit	mm		Scale 1:1	
.xx = ±0.15	Drawn By	Zhu QL 12/04'12			