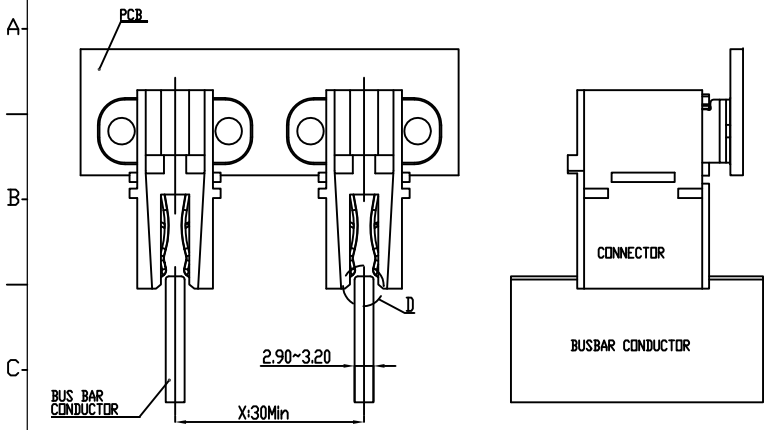
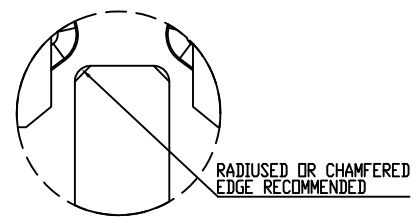


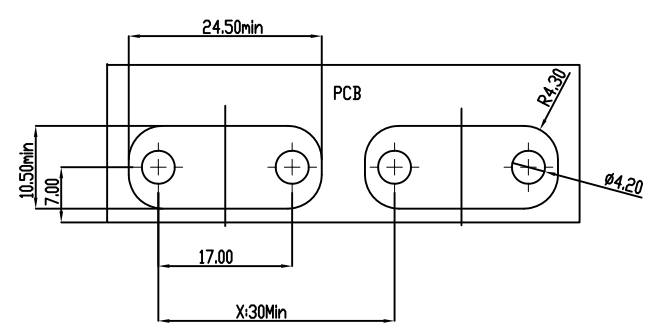
REV.	SPECIFICATION	ECN NO.	APPD.
R7		ECN221118	



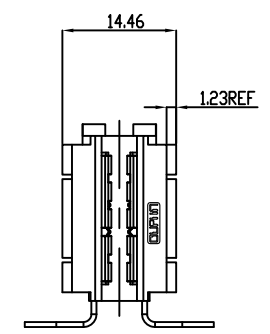
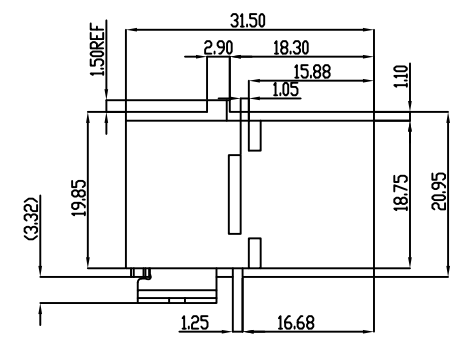
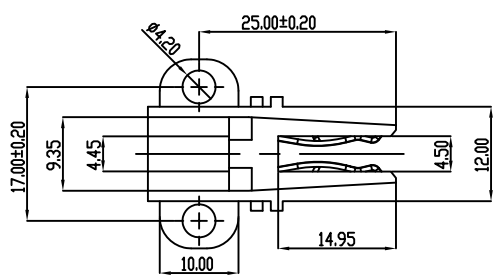
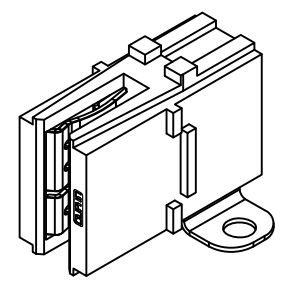
PCB AND BUSBAR-CONDUCTOR
IN THESE VIEWS ARE SHOWN FOR REFERENCE ONLY.



DETAIL D
Scale 2 : 1



Recommended P.C. Board Layout
Thickness:1.5mm Min



9192 - 02 T N5 A

Series — A:Tray Package
No.of Pin Count — N5:screws Assembled
T: Tin/Ni Plating
A: Ag/Ni Plating

Tolerances	Dwg. No.	9192-D0000-001	Title:	
x.=±0.5	Projection		9192 Series BUSBARClip	
.x=±0.25	Unit	mm	Scale	1:2
.xx=±0.15	Drawn By	ZY 11/9'22	POWER CONNECTOR	

9192 Series BUSBARClip
POWER CONNECTOR



OUPIIN ELECTRONIC(KUNSHAN) CO., LTD.			
P/N: 9192-02TN5A			
SHEET	1/1	Ver.No.	R7