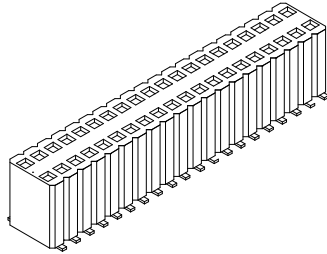
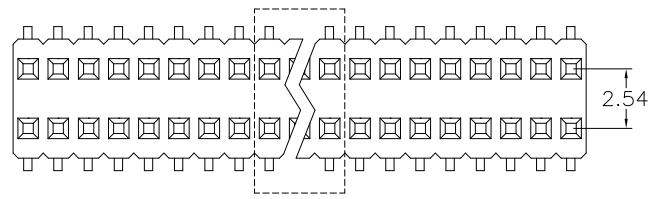


REV.	SPECIFICATION	ECN NO.	APPD.



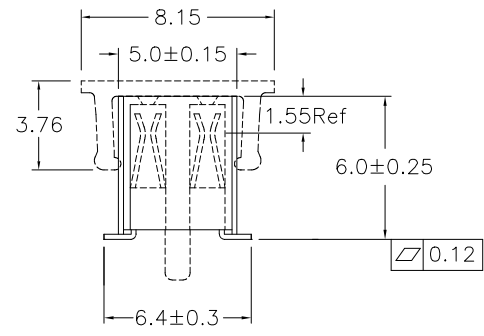
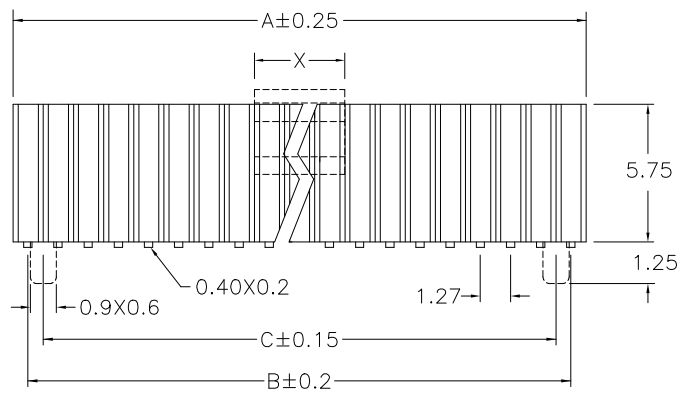
Material:

Housing: LCP, UL94V-0.
 Contacts: Phosphor Bronze, Gold Plated over Nickel 50u".

Electrical Characteristics:

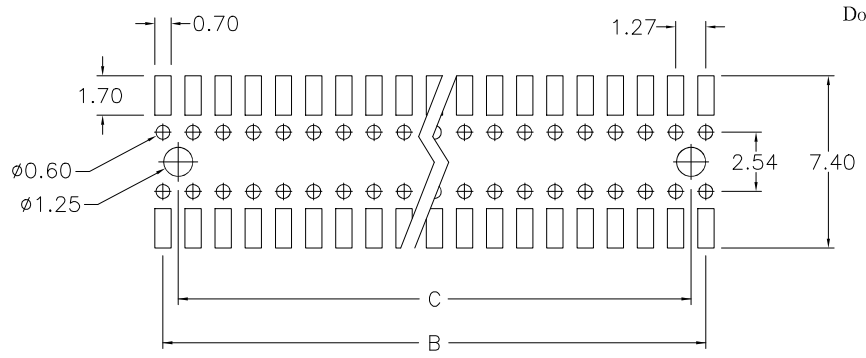
Current Rating: 1 AMP.
 Dielectric Withstanding Voltage: AC 300V
 Insulator Resistance: 1000MΩ min.
 Contact Resistance: 20mΩ max.
 Operating Temperature: -40°C~+105°C.

***RoHS Compliant**



No. of pin per row	03~25			26~50			
	Length(X)						
Position	Dimension						
	A	B	C	Position	A	B	C
2X03	4.11	2.54	1.27	2X27	34.59	33.02	31.75
2X04	5.38	3.81	2.54	2X28	35.86	34.29	33.02
2X05	6.65	5.08	3.81	2X29	37.13	35.56	34.29
2X06	7.92	6.35	5.08	2X30	38.40	36.83	35.56
2X07	9.19	7.62	6.35	2X31	39.67	38.10	36.83
2X08	10.46	8.89	7.62	2X32	40.94	39.37	38.10
2X09	11.73	10.16	8.89	2X33	42.21	40.64	39.37
2X10	13.00	11.43	10.16	2X34	43.48	41.91	40.64
2X11	14.27	12.70	11.43	2X35	44.75	43.18	41.91
2X12	15.54	13.97	12.70	2X36	46.02	44.45	43.18
2X13	16.81	15.24	13.97	2X37	47.29	45.72	44.45
2X14	18.08	16.51	15.24	2X38	48.56	46.99	45.72
2X15	19.35	17.78	16.51	2X39	49.83	48.26	46.99
2X16	20.62	19.05	17.78	2X40	51.10	49.53	48.26
2X17	21.89	20.32	19.05	2X41	52.37	50.80	49.53
2X18	23.16	21.59	20.32	2X42	53.64	52.07	50.80
2X19	24.43	22.86	21.59	2X43	54.91	53.34	52.07
2X20	25.70	24.13	22.86	2X44	56.18	54.61	53.34
2X21	26.97	25.40	24.13	2X45	57.45	55.88	54.61
2X22	28.24	26.67	25.40	2X46	58.72	57.15	55.88
2X23	29.51	27.94	26.67	2X47	59.99	58.42	57.15
2X24	30.78	29.21	27.94	2X48	61.26	59.69	58.42
2X25	32.05	30.48	29.21	2X49	62.53	60.96	59.69
2X26	33.32	31.75	30.48	2X50	63.80	62.23	60.96

Series: 2245-
 Double Row: 2
 No. of Pin Per Row: X xx
 G: Gold Plated
 T: Tin Plated
 00: G/F
 D: SMD Type
 P: With Post
 N: Without Post
 U: Tube Package
 T: Tape & Reel Package
 Blank: Without Pad
 P: Plastic Pad



P.C. Board Layout

Tolerances	Drawn No. 2245D02002	Title: 2245 Series P.C.B. Socket 1.27mmX2.54mm	 OUPIIN ELECTRONIC(KUNSHAN) CO., LTD. P/N: 2245-2XxxGOODPU-P
x = ±0.5	Projection	SHEET 1/1 Ver.No. B1	
.x = ±0.25	Unit mm Scale 1:1		
.xx = ±0.15	Drawn By Martin 04/17'24	719	