

REV.	SPECIFICATION	ECN NO.	APPD.

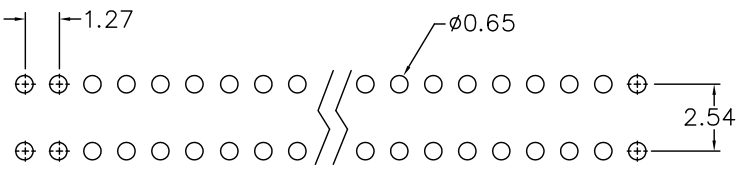
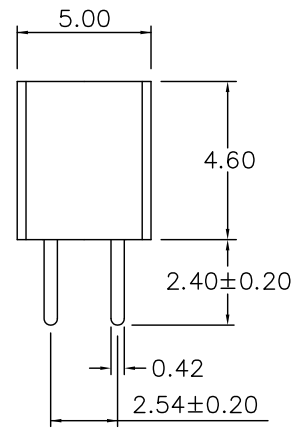
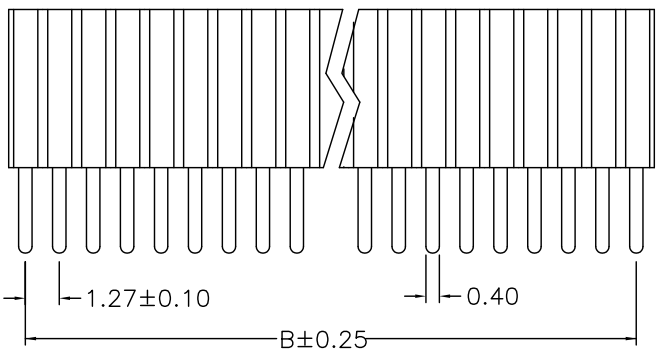
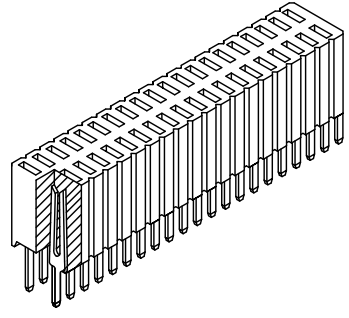
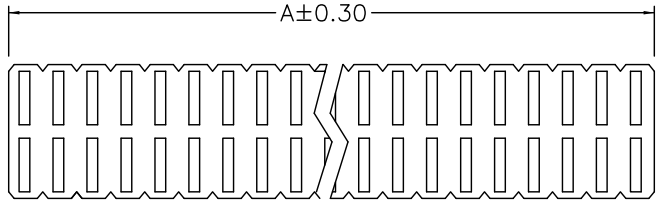
Material:

Housing: LCP,UL94V-0.
 Contacts: Phosphor Bronze.Gold Plated on Contact Area and Gold Flash on solder tail over Nickel 30~50μ".

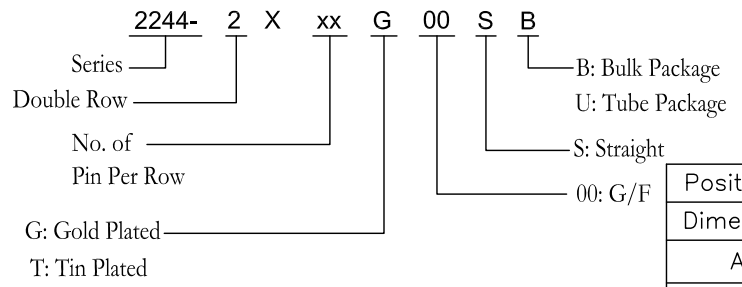
Electrical Characteristics:

Current Rating: 1 AMP
 Dielectric Withstanding Voltage: AC 300V for 1 minute.
 Insulator Resistance: 1000MΩ min. at DC 300V.
 Contact Resistance: 20mΩ max. at DC 100mA.
 Operating Temperature: -40°C~+105°C.

***RoHS Compliant**



P.C. Board Layout (Tolerance:±0.05)



Position	6 Thru 80
Dimension	6 Thru 80
A	1.27 X No. of Positions /2
B	1.27 X No. of Positions /2 -1.27

Tolerances	Drawn No.	2244D02004	Title:	
x = ±0.50	Projection		2244 Series	
.x = ±0.25	Unit	mm	Scale	1:1
.xx = ±0.15	Drawn By	Peggy 04/18"17	P.C.B Socket 1.27mm	

2244 Series
 P.C.B Socket 1.27mm

OUPIN			
OUPIN ELECTRONIC(KUNSHAN) CO., LTD.			
P/N: 2244-2XxxG00SB			
SHEET	1/1	Ver.No.	A6