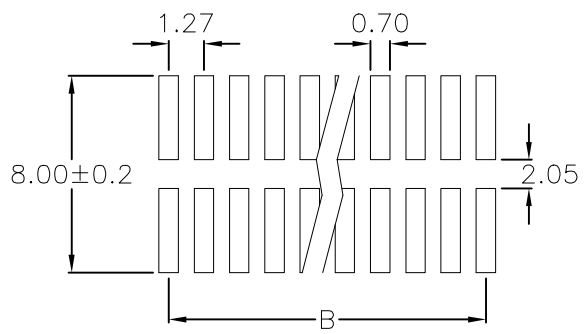
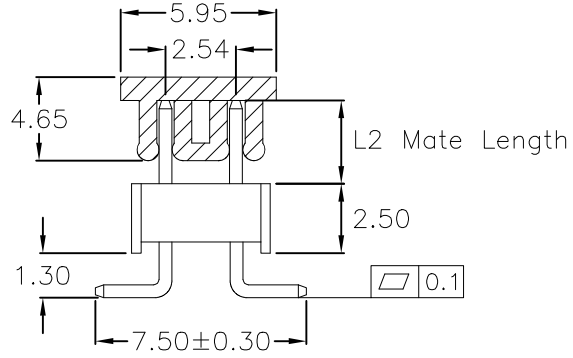
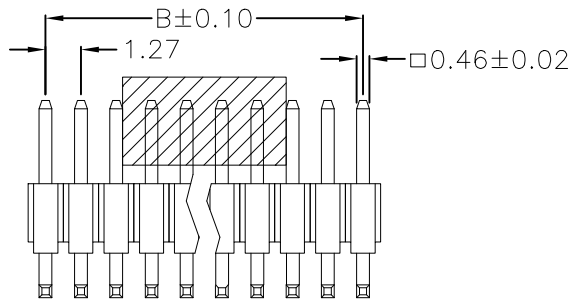
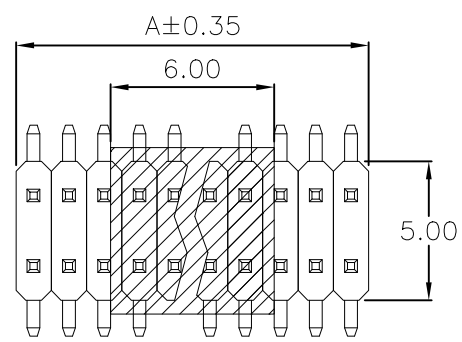


REV.	SPECIFICATION	ECN NO.	APPD.



P.C.Board Layout

Material:

Housing: PA6T, UL94V-0, Black.
 Contacts: Brass, Gold Plated or 80~120u" Tin Plated over Nickel 50u" , or Gold Plated on Contact Area and 80~120u" Tin Plated on solder tail over Nickel 50u".

Electrical Characteristics:

Current Rating: 3 AMP.
 Dielectric Withstanding Voltage: AC 500V.
 Insulator Resistance: 1000MΩ min.
 Contact Resistance: 20mΩ max.
 Operating Temperature: -40°C~+105°C.

***RoHS Compliant**

Dimension					
Positions	A	B	Positions	A	B
2X02	2.34	1.27	2X27	34.09	33.02
2X03	3.61	2.54	2X28	35.36	34.29
2X04	4.88	3.81	2X29	36.63	35.56
2X05	6.15	5.08	2X30	37.90	36.83
2X06	7.42	6.35	2X31	39.17	38.10
2X07	8.69	7.62	2X32	40.44	39.37
2X08	9.96	8.89	2X33	41.71	40.64
2X09	11.23	10.16	2X34	42.98	41.91
2X10	12.50	11.43	2X35	44.25	43.18
2X11	13.77	12.70	2X36	45.52	44.45
2X12	15.04	13.97	2X37	46.79	45.72
2X13	16.31	15.24	2X38	48.06	46.99
2X14	17.58	16.51	2X39	49.33	48.26
2X15	18.85	17.78	2X40	50.60	49.53
2X16	20.12	19.05	2X41	51.87	50.80
2X17	21.39	20.32	2X42	53.14	52.07
2X18	22.66	21.59	2X43	54.41	53.34
2X19	23.93	22.86	2X44	55.68	54.61
2X20	25.20	24.13	2X45	56.95	55.88
2X21	26.47	25.40	2X46	58.22	57.15
2X22	27.74	26.67	2X47	59.49	58.42
2X23	29.01	27.94	2X48	60.76	59.69
2X24	30.28	29.21	2X49	62.03	60.96
2X25	31.55	30.48	2X50	63.50	62.23
2X26	32.82	31.75			

Series: 2212- 2 X xx G 00 D -L2 T -P
 Double Row
 No. of Pin per Row
 G:Gold Plated
 T: Tin Plated
 C: Selective Gold Plated
 Blank:W/O Pad
 P:Plastic Pad
 T:Tape & Reel Package
 B: Bulk Package
 U: Tube Package
 L2: Mate Length
 D: SMD Type
 00: Gold Flash
 10: 10u"
 15: 15u"
 30: 30u"
 Blank: For Tin Plated

ie: 2212-2XxxG00D-2.8T-P
 2.8mm Mate Length (increment of 0.1mm)

Tolerances	Dwg. No.	2212D01006	Title:	2212 Series	 OUPIN ELECTRONIC(KUNSHAN) CO., LTD. P/N: 2212-2XxxG00D-L2T-P SHEET 1/1 Ver.No. A2
.x = ±0.30 .xx = ±0.20	Projection		Pin Header 1.27mmX2.54mm		
	Unit	mm	Scale	1:1	
	Drawn By	Martin	Date	06/20'23	
			① 535	Double Row S.M.D Type	