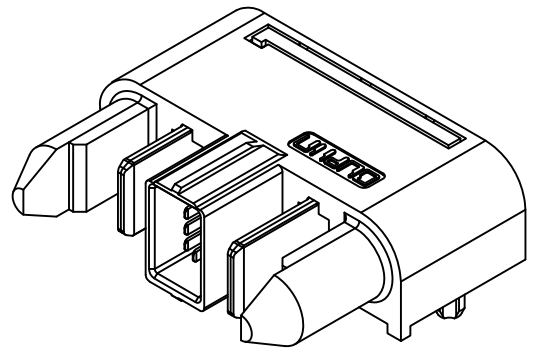
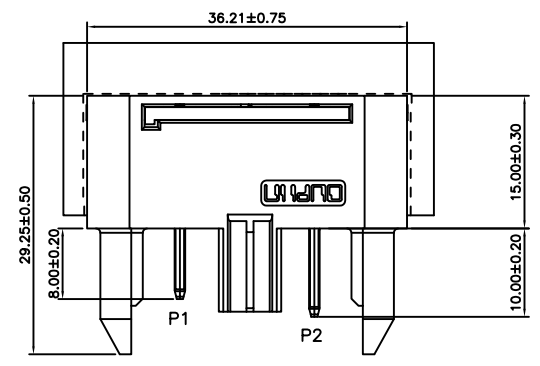


REV.	SPECIFICATION	ECN NO.	APPD.
R3		ECN200610	



**Material and Plating:**

Housing: LCP, UL94V-0, BLACK.  
 Power Contacts: High Conductivity Copper .  
 30u" Au+Pd/Ni Plated on Contact Area and 80u" Min Tin Plated on Solder Tail over Nickel 50u" Min .  
 Signal Contacts : Brass .  
 30u" Au+Pd/Ni Plated on Contact Area and 80u" Min Tin Plated on Solder Tail over Nickel 50u" Min .

**Electrical Characteristics:**

Current Rating: Signal Pin 2.5 AMP.  
 Power Pin 60 AMP.  
 Dielectric Withstanding Voltage: Power Pin :DC 1500V For 1 minute.  
 Signal Pin :DC 500V For 1 minute.  
 Insulator Resistance: 5000MΩ min.  
 Contact Resistance: Signal Pin 30mΩ max.  
 Power Pin 0.3mΩ max.  
 Operating Temperature: -40°C ~+105°C .

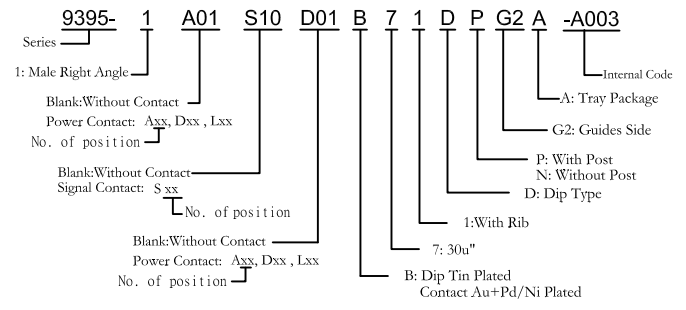
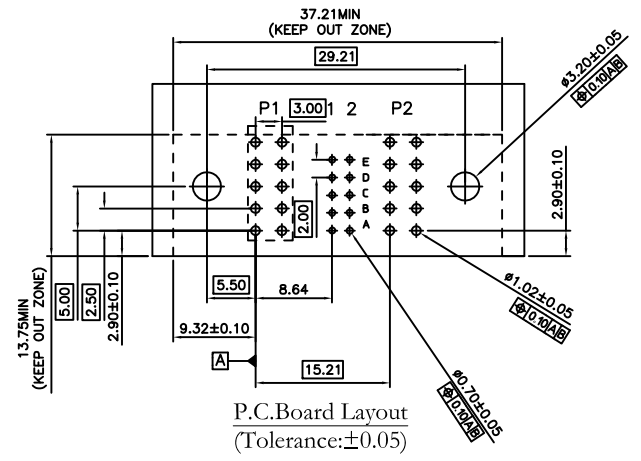
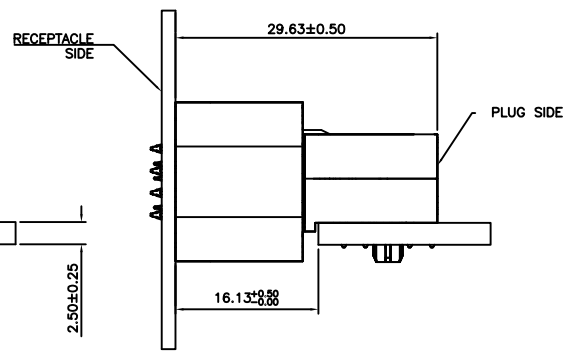
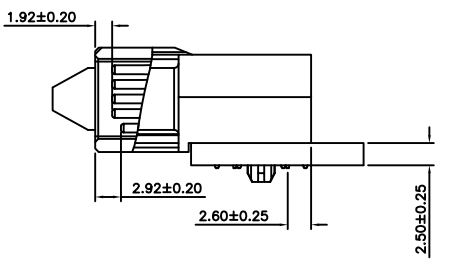
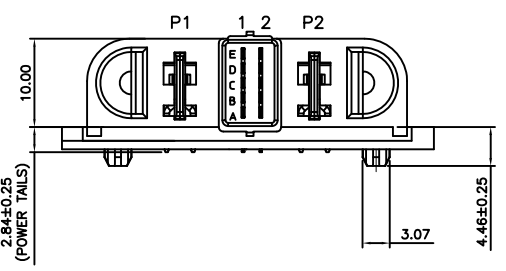
**\*RoHS Compliant**

**Notes 1:**

L: Low Power---PCB Mount 3.0mm Pitch  
 D: DC Power---PCB Mount 5.5mm Pitch  
 A: AC Power---PCB Mount 7.5mm Pitch

**Notes 2:**

A1,A2: Signal Pin to The Top Distance is 2.92mm.  
 Other Signal: Signal Pin to The Top Distance is 1.92mm.  
 P2 Power Contact Length is 10.0mm.  
 P1 Power Contact Length is 8.0mm.



Tolerances	Dwg. No.	9395-D0000-008	Title: 9395 Series Max P60 10mm Low Profile, 60Amp Plug, Right Angle,FMLB		 <b>OUPIIN ELECTRONIC(KUNSHAN) CO., LTD.</b> <b>P/N: 9395-1A01S10D01B71DPG2A-A003</b>			
x = ±0.5	Projection							
.x = ±0.25	Unit	mm	Scale	1:1	SHEET	1/1	Ver. No.	R3
.xx = ±0.15	Drawn By	WQ 06/09'20						