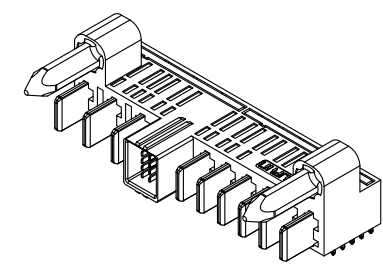
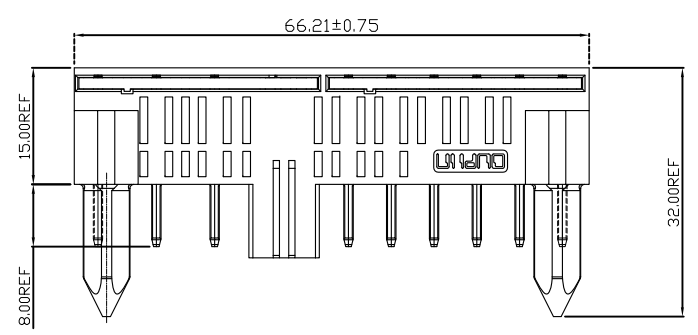


REV.	SPECIFICATION	ECN NO.	APPD.
R1		ECN161112	



Material and Plating:

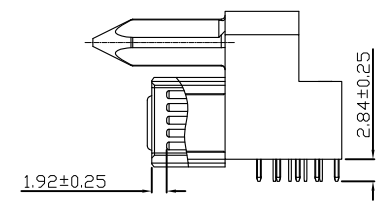
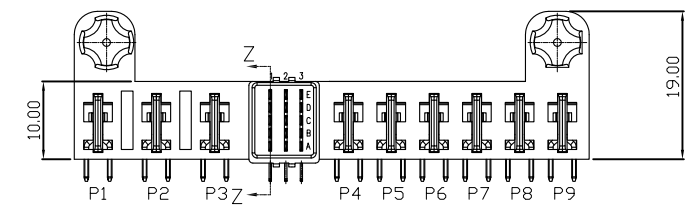
Housing: LCP, 30% Glass Filled, UL94V-0, BLACK.
 Power Contacts: High Conductivity Copper.
 30u"Au+Pd/Ni on Contact Area and 80u" Min Tin Plated on Solder Tail over nickel 50u" Min .
 Signal Contact: Brass .
 30u"Au+Pd/N on Contact Area and 80u" Min Tin Plated on Solder Tail over nickel 50u" Min .

Electrical Characteristics:

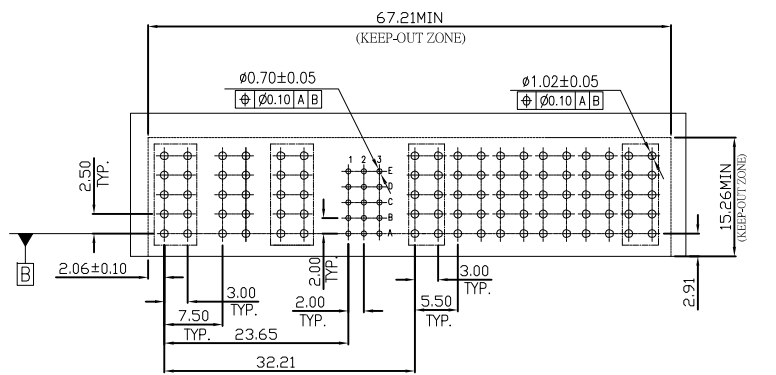
Current Rating: Signal Pin 2.5 AMP.
 Power Pin 60 AMP.
 Dielectric Withstanding Voltage: DC 1500V For 1 minute.
 Insulator Resistance: 5000MΩ min. at DC 500V.
 Contact Resistance: Signal Pin 30mΩ max.
 Power Pin 0.3mΩ max.
 Operating Temperature: -40°C ~+105°C .

***RoHS Compliant**

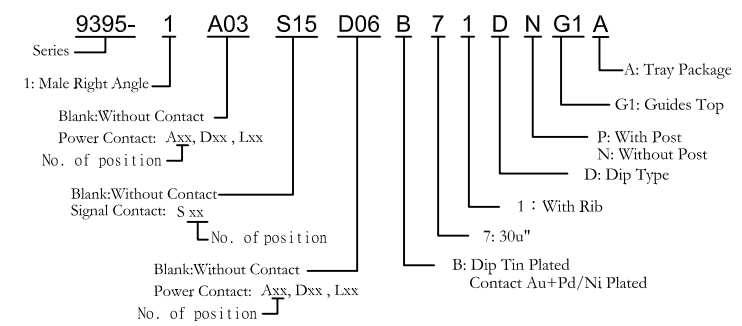
Notes :
 L: Low Power---PCB Mount 3.0mm Pitch
 D: DC Power---PCB Mount 5.5mm Pitch
 A: AC Power---PCB Mount 7.5mm Pitch



SECTION Z-Z



P.C.Board Layout
(Tolerance:±0.05)



Tolerances	Dwg. No.	9395-D0000-011	Title: 9395 Series		OUPIN OUPIN ELECTRONIC(KUNSHAN) CO., LTD. P/N:9395-1A03S15D06B71DNG1A			
x = ±0.5	Projection		Max P60					
.x = ±0.25	Unit	mm	Scale	1:1	SHEET	1/1	Ver. No.	R1
.xx = ±0.15	Drawn By	WP 11/03'16	10mm Low Profile, 60Amp Plug, Right Angle					