

REV.	SPECIFICATION	ECN NO.	APPD.
R3		ECN200463	

Material and Plating:

Housing: LCP, UL94V-0 , Black.
Power Contacts: High Conductivity Copper.
 30u" Au+Pd/Ni on Contact Area and 80u" Min Tin Plated on Solder Tail over 50u" Min Nickel.
Signal Contacts : Phosphor Bronze.
 30u" Au+Pd/Ni on Contact Area and 80u" Min Tin Plated on Solder Tail over 50u" Min Nickel.
Lock : Phosphor Bronze

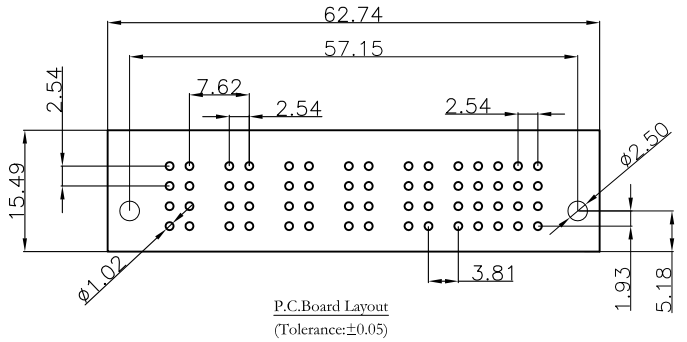
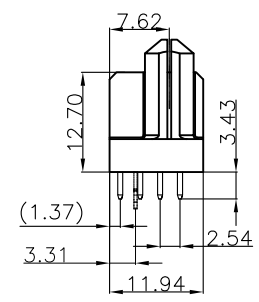
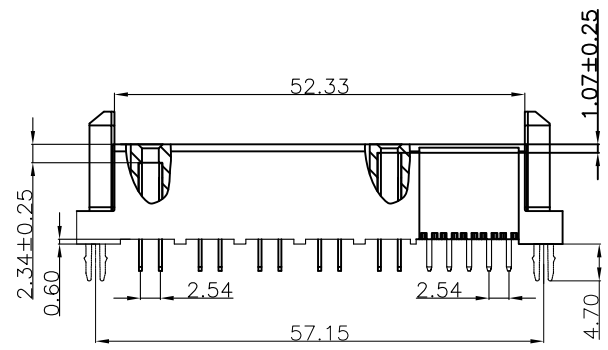
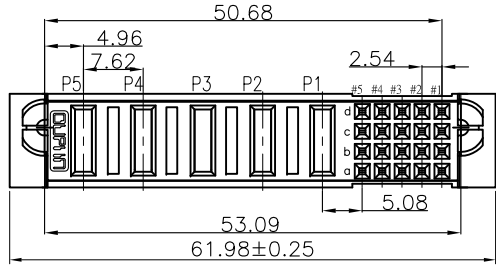
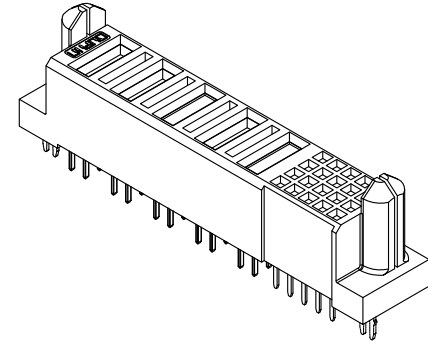
Electrical Characteristics:

Current Rating: Signal Pin: 2.5 A .
 Power Pin: 65 A(2oz x 6) .
Dielectric Withstanding Voltage:
 Signal Pin DC 1000V For 1 minute.
 Power Pin DC 2500V For 1 minute.
Insulator Resistance: Signal Pin 500MΩ max.
 Power Pin 1000MΩ max.
Contact Resistance: Signal Pin 20mΩ max. at DC 20mA.
 Power Pin 0.7mΩ max. at DC 20mA.
Operating Temperature: -40°C ~+125°C .

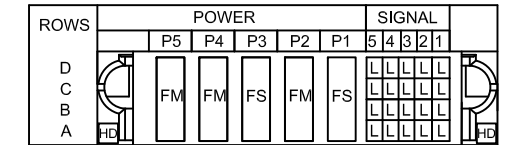
***RoHS Compliant**

Note1 :
 H: High density Power---PCB Mount 5.08mm Pitch
 P: DC Power---PCB Mount 6.35mm Pitch
 A: AC Power---PCB Mount 7.62mm Pitch
 S: Signal---PCB Mount 2.54mm Pitch

Note2:
 P2,P4,P5: Power Contact to The Top Distance is 2.34mm.
 P1,P3: Power Contact to The Top Distance is 1.07mm.



9303-2 A05 S20 CB 30 D X A -A005
 Series
 2:Female Straight
 Blank:Without Contact
 Power Contact: Hxx, Pxx, Axx
 No. of position
 Blank: Without Contact
 Signal Contact: S xx
 No. of position
 Internal Code
 A:Tray Package
 L:With Lock
 Blank:Without Lock
 D:Dip Type
 30: 30 u"
 CB: Contact Au+Pd/Ni,Dip Tin



POWER CONTACT TO THE TOP DISTANCE 2.34mm, THE MATING LENGTH 3.87mm	FM
POWER CONTACT TO THE TOP DISTANCE 1.07mm, THE MATING LENGTH 5.14mm	FS
SIGNAL CONTACT 3.43 SOLDER TAIL, PD/NI	L

Tolerances	Dwg. No.	9303-D0000-022	Title:	9303 Series Female Straight Dip Type
x = ±0.5	Projection			
.x = ±0.25	Unit	mm	Scale	1:1
.xx = ±0.15	Drawn By	WQ 04/22'20		

OUPIN
 OUPIN ELECTRONIC(KUNSHAN) CO., LTD.
 P/N: 9303-2A05S20CB30DXA-A005
 SHEET 1/1 Ver. No. R3