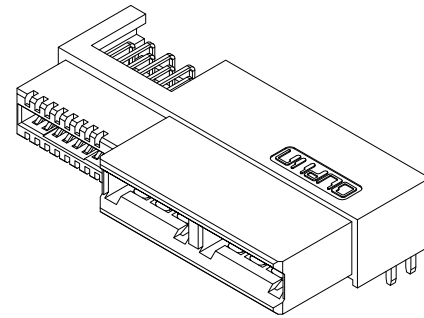
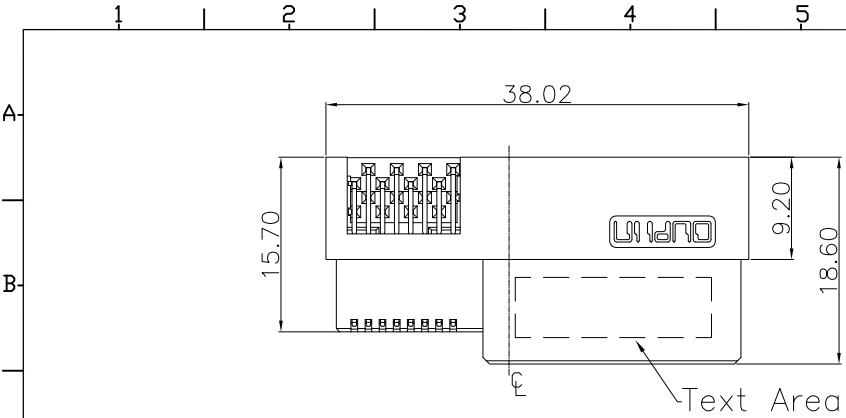


REV.	SPECIFICATION	ECN NO.	APPD.
R7		ECN230636	



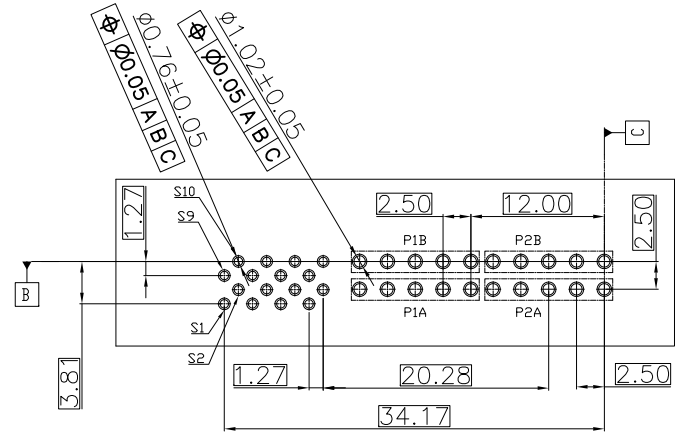
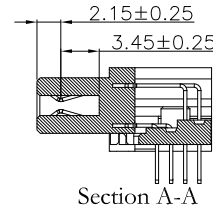
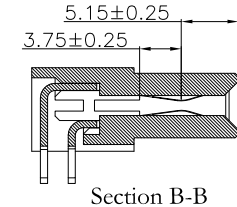
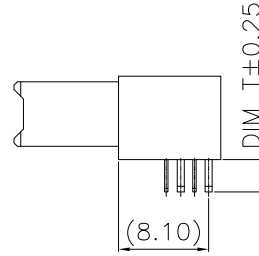
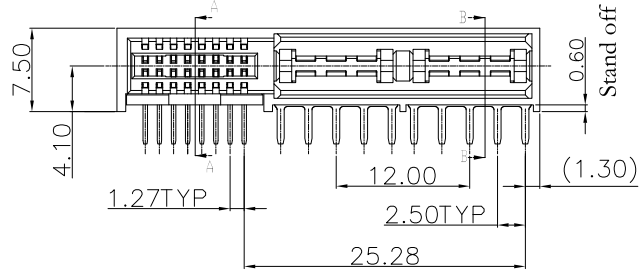
Material and Plating:

Housing: LCP, UL94V-0, Black.
 Cover: LCP, UL94V-0, Black.
 Power Contacts: High Conductivity Copper.
 Au+Pd/Ni or Gold Plated on Contact Area and 80µ" Min Tin Plated on Solder Tail over nickel 50µ" Min .
 Signal Contacts : Phosphor Bronze.
 Au+Pd/Ni or Gold Plated on Contact Area and 80µ" Min Tin Plated on Solder Tail over nickel 50µ" Min .

Electrical Characteristics:

Current Rating: Signal Pin 1.0 A.
 Power Pin 45 A(UL).
 Insulator Resistance: 5000MΩ min. at DC 500V.
 Dielectric Withstanding Voltage:
 Signal Pin DC 1500V For 1 minute.
 Power Pin DC 1500V For 1 minute.
 Contact Resistance: Signal Pin 20mΩ max. at DC 20mA.
 Power Pin 5mΩ max. at DC 20mA.
 Operating Temperature: -40°C ~+105°C .

***RoHS Compliant**



P.C. Board Layout
(Tolerance:±0.05)

- 9392 - 4 S16 P04 N 1 2 Cxx D x
- Series
- 4:Female Right Angle
- S16:Signal Pin
- P04:Power Contact
- N:Without Post
- 1: Without Guides
- 1: Dim T=2.50mm
- 2: Dim T=2.90mm
- 3: Dim T=3.60mm
- 4: Dim T=4.20mm
- A:Tray Package
- T:Tape&Reel Package
- D:Dip Type
- CB30: Dip Tin Plated Contact Au+Pd/Ni Plated 30: 30 u"
- C:Selective Gold Plated 10: 10 u" 30: 30 u"

Tolerances	Dwg. No.	9392-D0000-033	Title:	9392 Series Low Profile Hybrid Power Receptacle
x = ±0.5	Projection			
.x = ±0.25	Unit	mm	Scale	1:1
.xx = ±0.15	Drawn By	JCQ 06/27'23		

OUPIN
OUPIN ELECTRONIC(KUNSHAN) CO., LTD.
 P/N: 9392-4S16P04N12CxxDx

SHEET	1/2	Ver. No.	R7
-------	-----	----------	----

