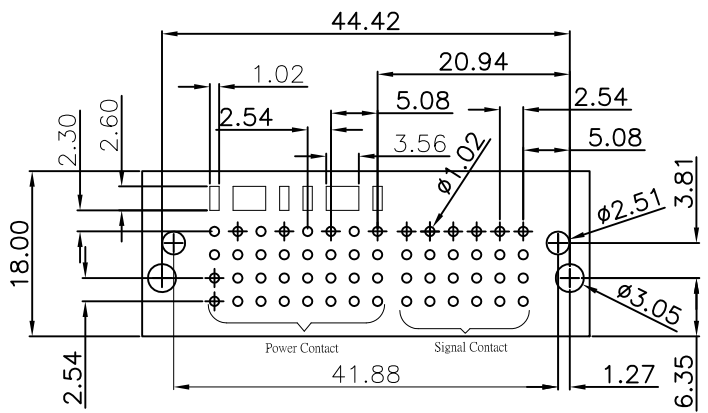
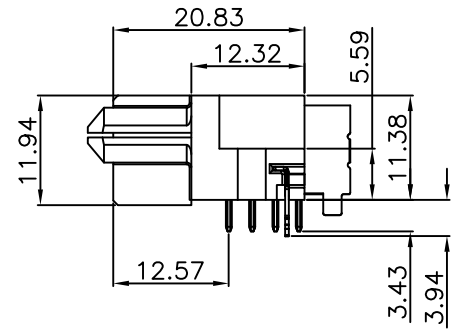
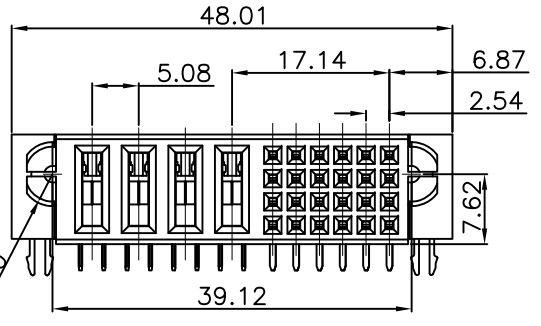
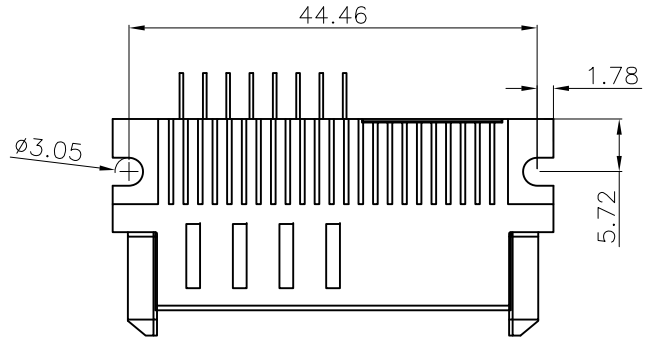


REV.	SPECIFICATION	ECN NO.	APPD.
X1			



P.C.Board Layout
(Tolerance:±0.05)

9303- 4 H04 S24 CB 30 D L A -A008
 Series 2:Female Right Angle Internal Code
 Blank:Without Contact Hxx, Pxx, Axx A:Tray Package
 No. of position L:With Lock
 Blank: Without Contact D:Dip Type
 Signal Contact: S xx 30: 30 u"
 No.of position CB: Contact Au+Pd/Ni,Dip Tin
 C: Selective Gold Plated
 G: Gold Plated

Material:
Housing: High Temperature Plastic UL94V-0.
Contacts: Copper Alloy.
Lock: Copper Alloy.
Electrical Characteristics:
Current Rating: Signal Pin: 2.5 A.
 Power Pin: 65A(2oz x 6).
Dielectric Withstanding Voltage:
 Signal Pin DC 1000V For 1 minute.
 Power Pin DC 2500V For 1 minute.
Insulator Resistance: Signal Pin 500MΩ max.
 Power Pin 1000MΩ max.
Contact Resistance: Signal Pin 20mΩ max.
 Power Pin 10mΩ max.
Operating Temperature: -20°C ~+85°C .

***RoHS Compliant**

Notes 1 :
 H: High density Power---PCB Mount 5.08mm Pitch
 P: DC Power---PCB Mount 6.35mm Pitch
 A: AC Power---PCB Mount 7.62mm Pitch
 S: Signal---PCB Mount 2.54mm Pitch
 Notes 2 :
 Applicable M3 screws add pad.
 Tightening Torque: 0.6 N · m Max.

ROWS	POWER				SIGNAL					
	P4	P3	P2	P1	6	5	4	3	2	1
D					L	L	L	L	L	L
C	FS				L	L	L	L	L	L
B	FS				L	L	L	L	L	L
A	FS				L	L	L	L	L	L

POWER CONTACT TO THE TOP DISTANCE 2.34mm, THE MATING LENGTH 4.06mm	FM
POWER CONTACT TO THE TOP DISTANCE 1.07mm, THE MATING LENGTH 5.33mm	FS
SIGNAL CONTACT 3.43 SOLDER TAIL, PD/NI	L

Tolerances	Dwg. No.	9303-D0000-025	Title:		 OUPIN ELECTRONIC(KUNSHAN) CO., LTD. P/N: 9303-4H04S24CB30DLA-A008		
x = ±0.5	Projection		9303 Series				
.x = ±0.25	Unit	mm	Scale	1:1	SHEET		
.xx = ±0.15	Drawn By	WP 02/03'16	Female Right Angle Dip Type		1/1	Ver. No.	X1