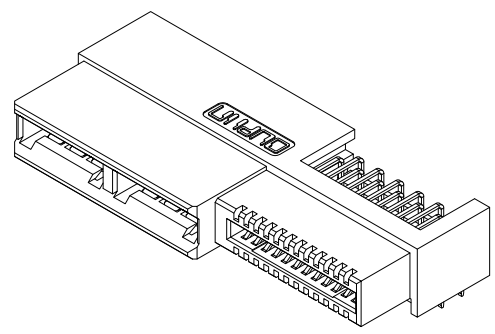
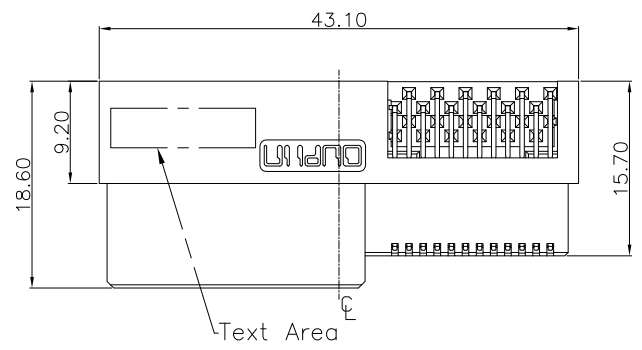


REV.	SPECIFICATION	ECN NO.	APPD.
R12		ECN230636	



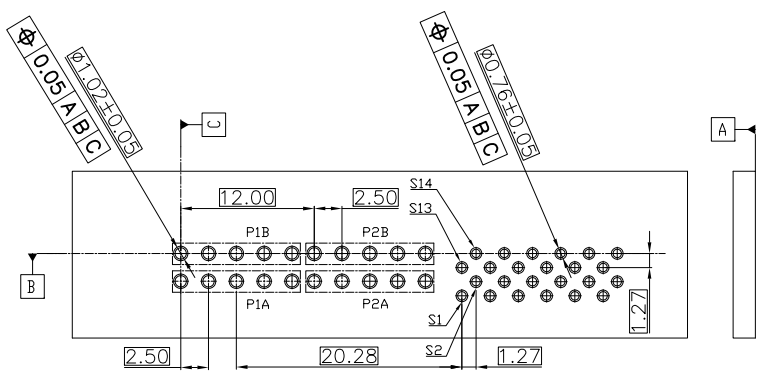
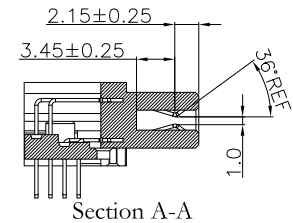
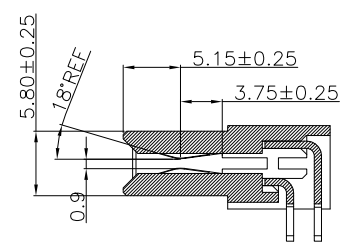
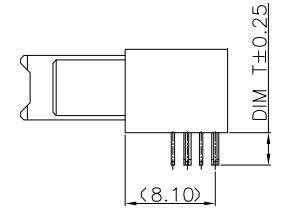
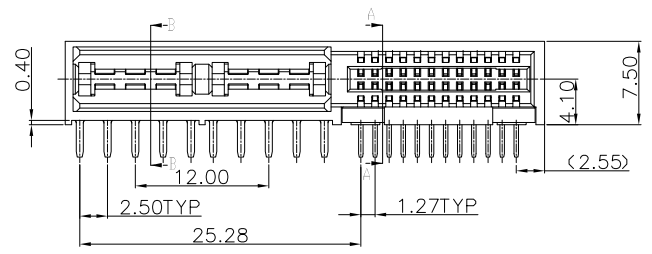
Material and Plating:

Housing: LCP, UL94V-0 , Black.
Cover: LCP, UL94V-0 , Black.
Power Contacts: High Conductivity Copper.
 30u" Au+Pd/Ni on Contact Area and 80u" Min Matte Tin Plated on Solder Tail over Nickel 50u" Min .
Signal Contacts : Phosphor Bronze.
 30u" Au+Pd/Ni on Contact Area and 80u" Min Matte Tin Plated on Solder Tail over Nickel 50u" Min .

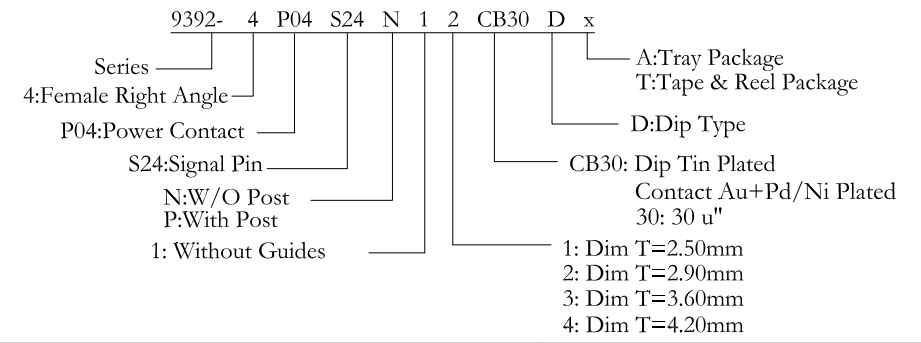
Electrical Characteristics:

Current Rating: Signal Pin 1.0 AMP 600VAC.
 Power Pin 60 AMP 600VAC(UL).
Insulator Resistance: Power Contact:10000MΩ min. at DC 500V.
 Signal Contact:500MΩ min. at DC 500V.
Contact Resistance: Signal Pin 20mΩ max. at DC 20mA.
 Power Pin 5mΩ max. at DC 20mA.
Dielectric Withstanding Voltage:
 Signal Pin DC 1500V For 1 minute.
 Power Pin DC 1500V For 1 minute.
Operating Temperature: -40°C ~+105°C .

***RoHS2.0+HF Compliant**



P.C. Board Layout
(Tolerance:±0.05)

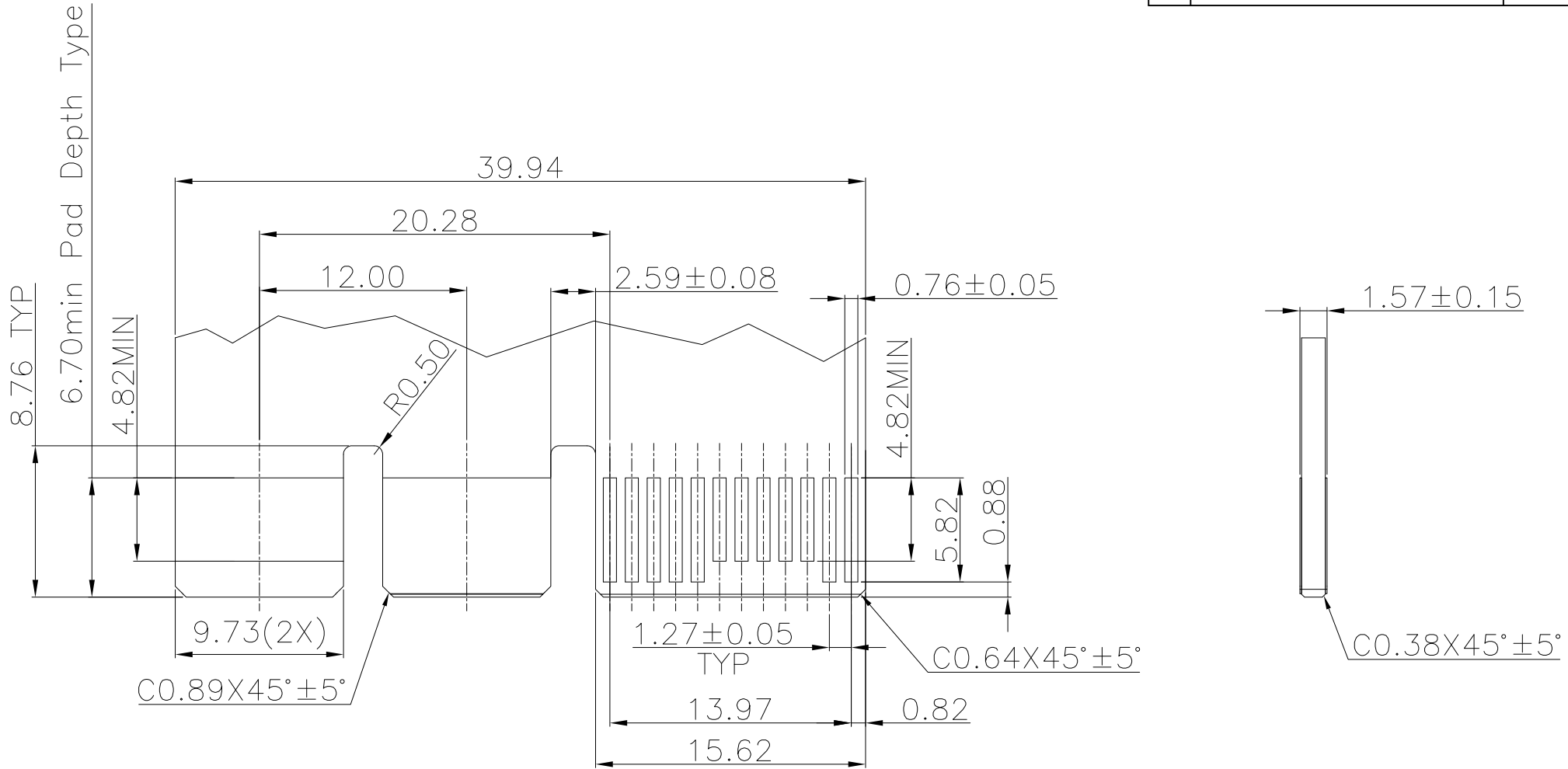


Tolerances	Dwg. No.	9392-D0000-013	Title:	
x = ±0.5	Projection		9392 Series	
.x = ±0.25	Unit	mm	Scale	1:1
.xx = ±0.15	Drawn By	JCQ 06/27'23	Low Profile Hybrid Power Receptacle	

OUPIN
OUPIN ELECTRONIC(KUNSHAN) CO., LTD.
P/N: 9392-4P04S24N12CB30Dx

SHEET	1/2	Ver.No.	R12
-------	-----	---------	-----

REV.	SPECIFICATION	ECN NO.	APPD.
R12		ECN230636	



Recommended Edge Card Layout
(Tolerance: ±0.05)

Tolerances	Dwg. No.	9392-D0000-013		Title:	
x = ±0.5	Projection			9392 Series	
.x = ±0.25	Unit	mm	Scale	1:1	Low Profile Hybrid
.xx = ±0.15	Drawn By	JCQ	06/27'23		Power Receptacle

9392 Series
Low Profile Hybrid
Power Receptacle



OUPIIN ELECTRONIC(KUNSHAN) CO., LTD.

P/N: 9392-4P04S24N12CB30Dx

SHEET	2/2	Ver.No.	R12
-------	-----	---------	-----