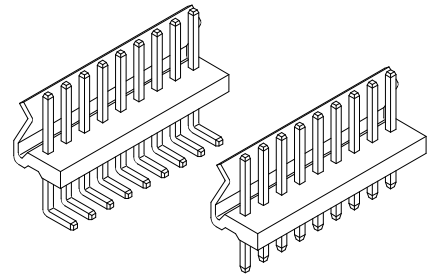


REV.	SPECIFICATION	ECN NO.	APPD.



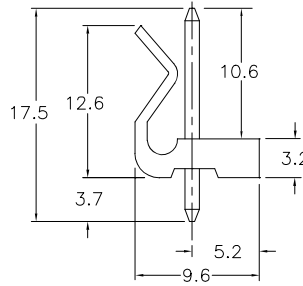
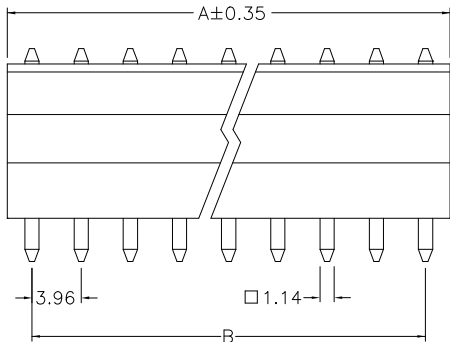
Material:

Housing: PA66, UL94V-2.
 Contacts: Brass, 120~130u" Tin Plated or Gold Flash over Nickel 40~60u"

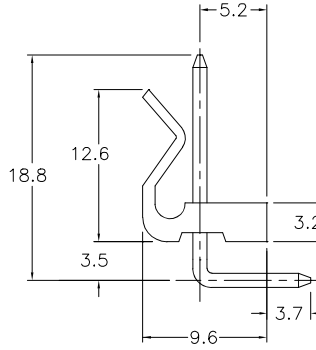
Electrical Characteristics:

Voltage Rating: AC/DC 250V.
 Current Rating: 7 AMP.
 Insulator Resistance: 1500M Ω min. at DC 500V.
 Contact Resistance: 10mΩ max. at DC 100mA.
 Operating Temperature: -25°C~+85°C.

***RoHS Compliant**

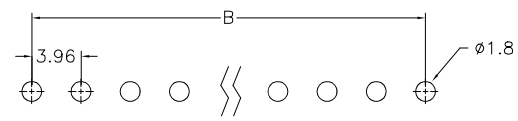


Straight



Right Angle

Dimension		
Positions	A	B
02	7.92	3.96
03	11.88	7.92
04	15.84	11.88
05	19.80	15.84
06	23.76	19.80
07	27.72	23.76
08	31.68	27.72
09	35.64	31.68
10	39.60	35.64
11	43.56	39.60
12	47.52	43.56
13	51.48	47.52
14	55.44	51.48
15	59.40	55.44
16	63.36	59.40



P.C. Board Layout

4771- xx T x B
 Series No. of Position T: Tin Plated S: Straight B: Bulk Package
 G00:Gold Flash R: Right Angle

Tolerances	Dwg. No. 4771D01001	Title:	
x = ±0.5	Projection	4771 Series	
.x = ±0.35	Unit mm	Scale 1:1	Wafer 3.96mm
.xx = ±0.15	Drawn By Martin 03/28'24	704	

OUPIIN
 OUPIIN ELECTRONIC(KUNSHAN) CO., LTD.
 P/N: 4771-xxTxB

SHEET	1/1	Ver.No.	B1
-------	-----	---------	----