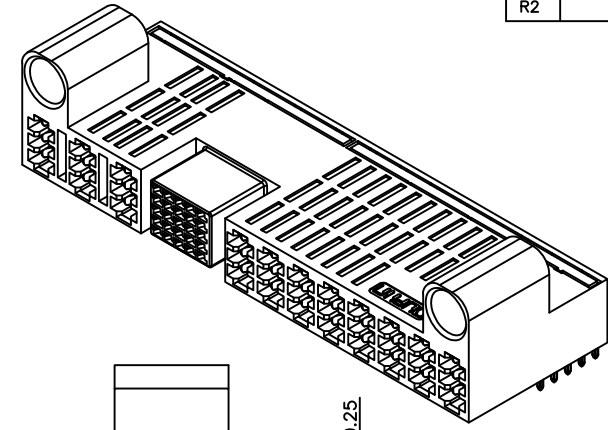
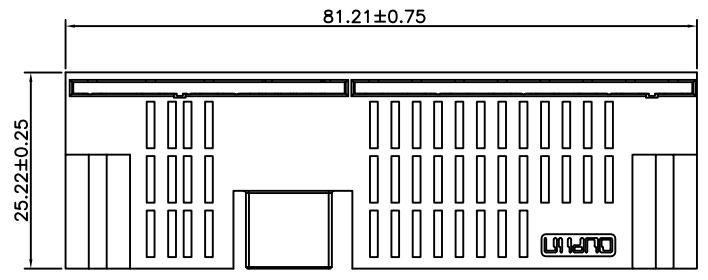
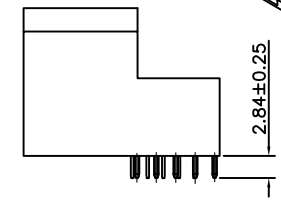
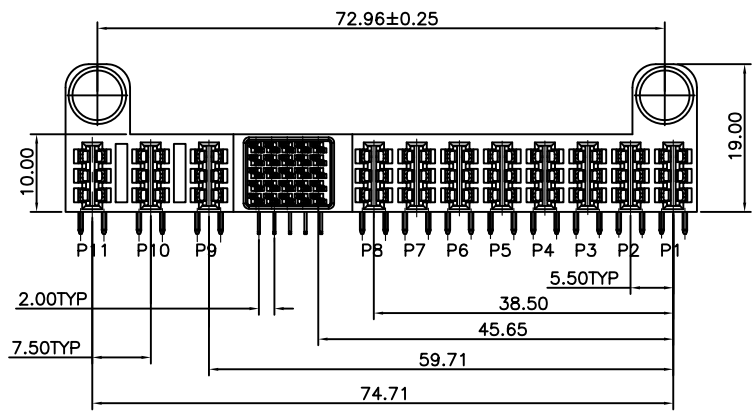


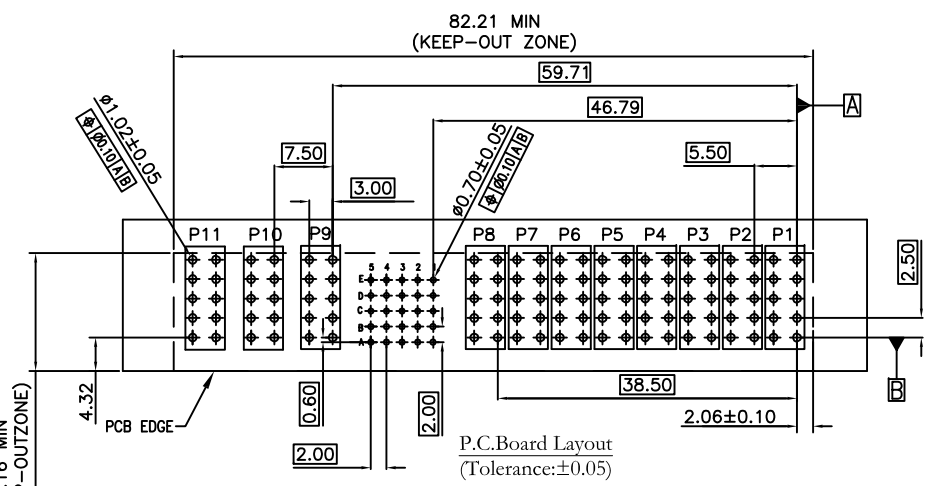
REV.	SPECIFICATION	ECN NO.	APPD.
R2		ECN170307	



Material and Plating:
Housing: LCP, 30% Glass Filled, UL94V-0, BLACK.
Power Contacts: High Conductivity Copper.
Signal Contact: Phosphor Bronze.
Electrical Characteristics:
Current Rating: Signal Pin 2.5 AMP.
Power Pin 60 AMP.
Dielectric Withstanding Voltage: DC 1500V For 1 minute.
Insulator Resistance: 5000MΩ min. at DC 500V.
Contact Resistance: Signal Pin 30mΩ max.
Power Pin 0.3mΩ max.
Operating Temperature: -40°C ~ +105°C .
***RoHS Compliant**



Notes :
L: Low Power---PCB Mount 3.0mm Pitch
D: DC Power---PCB Mount 5.5mm Pitch
A: AC Power---PCB Mount 7.5mm Pitch



9395- 4 A03 S25 D08 B 7 2 D N G1 A
Series | 4:Female Right-angle | Blank:Without Contact | Power Contact: Axx, Dxx, Lxx | No. of position | Blank:Without Contact | Signal Contact: S xx | No. of position | Blank:Without Contact | Power Contact: Axx, Dxx, Lxx | No. of position | B: Dip Tin Plated | Contact Au+Pd/Ni Plated

A: Tray Package
G1: Guides Top
N: Without Post
D: Dip Type
2: Without Rib
7: 30u"

Tolerances	Dwg. No.	9395-D0000-005	Title:		9395 Series			
x = ±0.5	Projection		Max P60		10mm Low Profile, 60Amp			
.x = ±0.25	Unit	mm	Scale	1:1	Receptable, Right Angle		OUPIN ELECTRONIC(KUNSHAN) CO., LTD. P/N: 9395-4A03S25D08B72DNG1A	
.xx = ±0.15	Drawn By	WP 03/03'17			SHEET	1/1	Ver. No.	R2